

**SERIES  
TT  
3 POINT LIFT**

**TRI-TILL  
THREE-IN-ONE  
PARTS  
AND  
OPERATOR  
MANUAL  
FIELD  
CULTIVATOR  
FOR  
VINEYARD  
AND  
ORCHARDS**

**Domries Enterprises, Inc**

**12281 Rd 29**

**Madera, California 93638**

**Phone (559) 673-9143**

**Fax (559) 673-4110**

**Visit our Web -Site at [www.domriesentinc.com](http://www.domriesentinc.com)**

# IMPORTANT! PLEASE READ!

## TO OUR CUSTOMER – USER’S RESPONSIBILITY- WARRANTY

### TO OUR CUSTOMER

The following pages and illustrations are printed to help supply you with the knowledge to better operate and service your new DOMRIES equipment.

We are proud to have you as a customer and feel you will be proud to be a DOMRIES owner.

Any piece of equipment needs and must have a certain amount of service and maintenance to keep it in top running condition. We have attempted to cover all the adjustments required to fit most conditions; however, there may be times special care must be taken to fit a condition.

**Study this operator’s manual carefully and become acquainted with all the adjustments and operating procedures before attempting to operate your new equipment.** Remember, it is a machine and has been designed and tested to do an efficient job in most operating conditions and will perform in relation to the service it receives.

If special attention is required for some conditions, ask your DOMRIES dealer; his Parts and Service Organization will be glad to help and answer any question on operation and service of your new machine.

### ATTENTION! BECOME ALERT!

### YOUR SAFETY IS INVOLVED

This symbol is used to call your attention to safety precautions that should be followed by the operator to avoid accidents. When you see this symbol – Heed Its Warning.

### USER’S RESPONSIBILITY

It is the responsibility of the user to read the Operator’s Manual and understand the safe and correct operating procedures as pertains to the operation of the product, and to lubricate and maintain the product according to the maintenance schedule in the Operator’s Manual.

The user is responsible for inspecting his machine and for having parts repaired or replaced when continued use of the product would cause damage or excessive wear to the other parts. It is the user’s responsibility to deliver his machine to a DOMRIES dealer, for service or replacement of defective parts which are covered by the standard warranty. When requesting warranty service, you present your copy of delivery record.

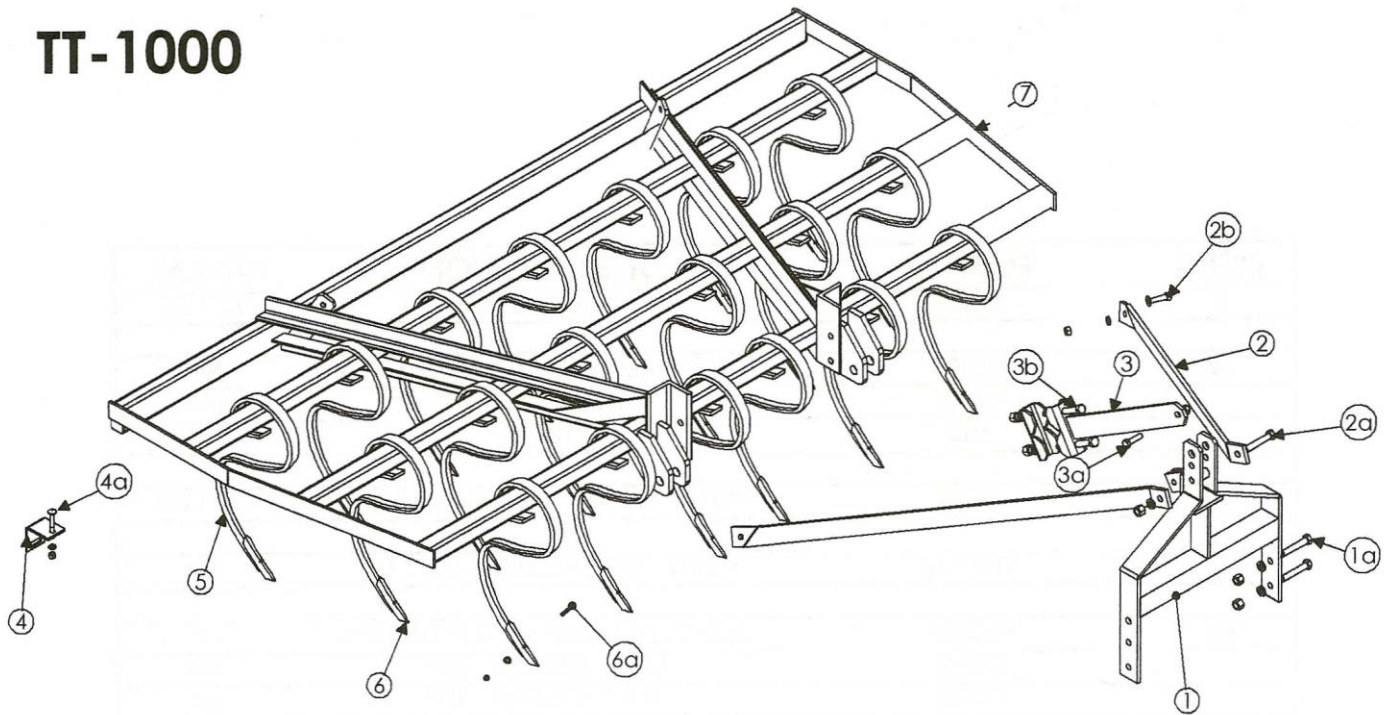
**MODEL#** \_\_\_\_\_

**SERIAL#** \_\_\_\_\_

## ON HIGHWAY OPERATION

1. Use the **SLOW-MOVING** vehicle emblem in daytime and approved warning lights at night, or during other periods of poor visibility, to prevent highway accidents.
2. **COMPLY** with Local highway regulation concerning moving machinery on highways.
3. **MAINTAIN** complete control of machines at all times when traveling on the highway
4. Due to the width of implement, **USE EXTRA CAUTION** on highways, far lanes and when approaching gates

# TT-1000

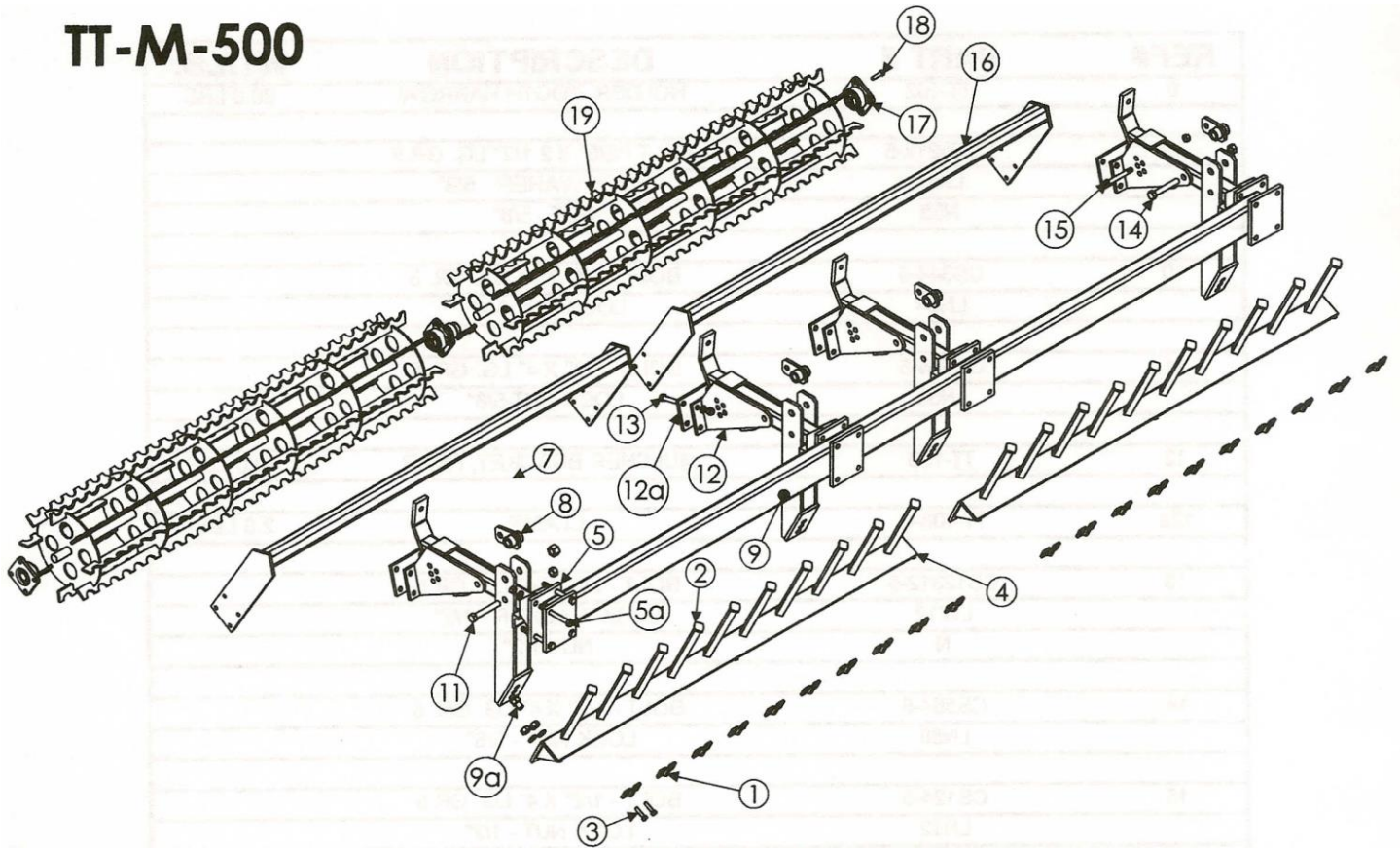


## TRI-TILL MAIN FRAME & A-FRAME

REF #	PART #	DESCRIPTION	WT/LB.
1	TT-104	A FRAME TRI-TILL	55.0
1a	CS345-5	BOLT - 3/4 X 4 LG. GR. 5	
	LW34	LOCK WASHER - 3/4"	
	N34	NUT - 3/4"	
2	TT-503	BRACE - A FRAME 5 FT.	18.0
	TT-603	BRACE - A FRAME 6 FT.	
	TT-703L	BRACE - A FRAME L.H. 7 FT. - 9 FT.	
	TT-703R	BRACE - A FRAME R.H. 7 FT. - 9 FT.	
	TT-1003	BRACE - A FRAME R.H. 10 FT. - 14 FT.	20.5
	TT-1004	BRACE - A FRAME L.H. 10 FT. - 14 FT.	
2a	CS345-5	BOLT - 3/4 X 4 LG. GR. 5	
	LW34	LOCK WASHER - 3/4"	
	N34	NUT - 3/4"	
2b	CS582-5	BOLT - 5/8" X 2" LG. GR. 5	
	LW58	LOCK WASHER - 5/8"	
	N58	NUT - 5/8"	
3	TT-104-S	CENTER BRACE W/ACC-2 CLAMP (10'14')	
3a	CS58212-5	BOLT - 5/8" X 2 1/2" LG. GR. 5	
	LW58	LOCK WASHER - 5/8"	
	FW58	FLAT WASHER - 5/8"	
	N58	NUT - 5/8"	
3b	CS347-5	BOLT - 3/4" X 7" LG. GR. 5	
	LW34	LOCK WASHER 3/4"	
	N34	NUT 3/4"	

REF #	PART #	DESCRIPTION	WT/LB.
4	TT-705	CLAMP - S TINE	1.0
4a	CS124	CARRIAGE BOLT - 1/2" 4" LG. GR. 5	N/A
	LW12	LOCK WASHER 1/2"	N/A
	N12	NUT - 1/2"	N/A
5	TT-ST	S TINE SANIS (1/2" X 1 3/4" X 18 1/2" LG.)	10.5
6	TT-PT-10	POINT - REVERSIBLE 6mm. X 1/4"	N/A
6a	PB382-5	PLOW BOLT - 3/8" NC. X 2" LG. GR. 5	60
	LW12	LOCK WASHER - 3/8"	N/A
	FW38	FLAT WASHER - 3/8"	N/A
	N38	NUT - 3/8"	N/A
7	TT-306	MAIN FRAME - 3" 8"	N/A
	TT-400	MAIN FRAME - 4" 0"	N/A
	TT-500	MAIN FRAME - 5" 0"	N/A
	TT-600	MAIN FRAME - 6" 0"	N/A
	TT-700	MAIN FRAME - 7" 0"	N/A
	TT-800	MAIN FRAME - 8" 0"	N/A
	TT-900	MAIN FRAME - 9" 0"	N/A
	TT-1000	MAIN FRAME - 10" 0"	N/A
	TT-1200	MAIN FRAME - 12" 0"	N/A
	TT-1400	MAIN FRAME - 14" 0"	N/A

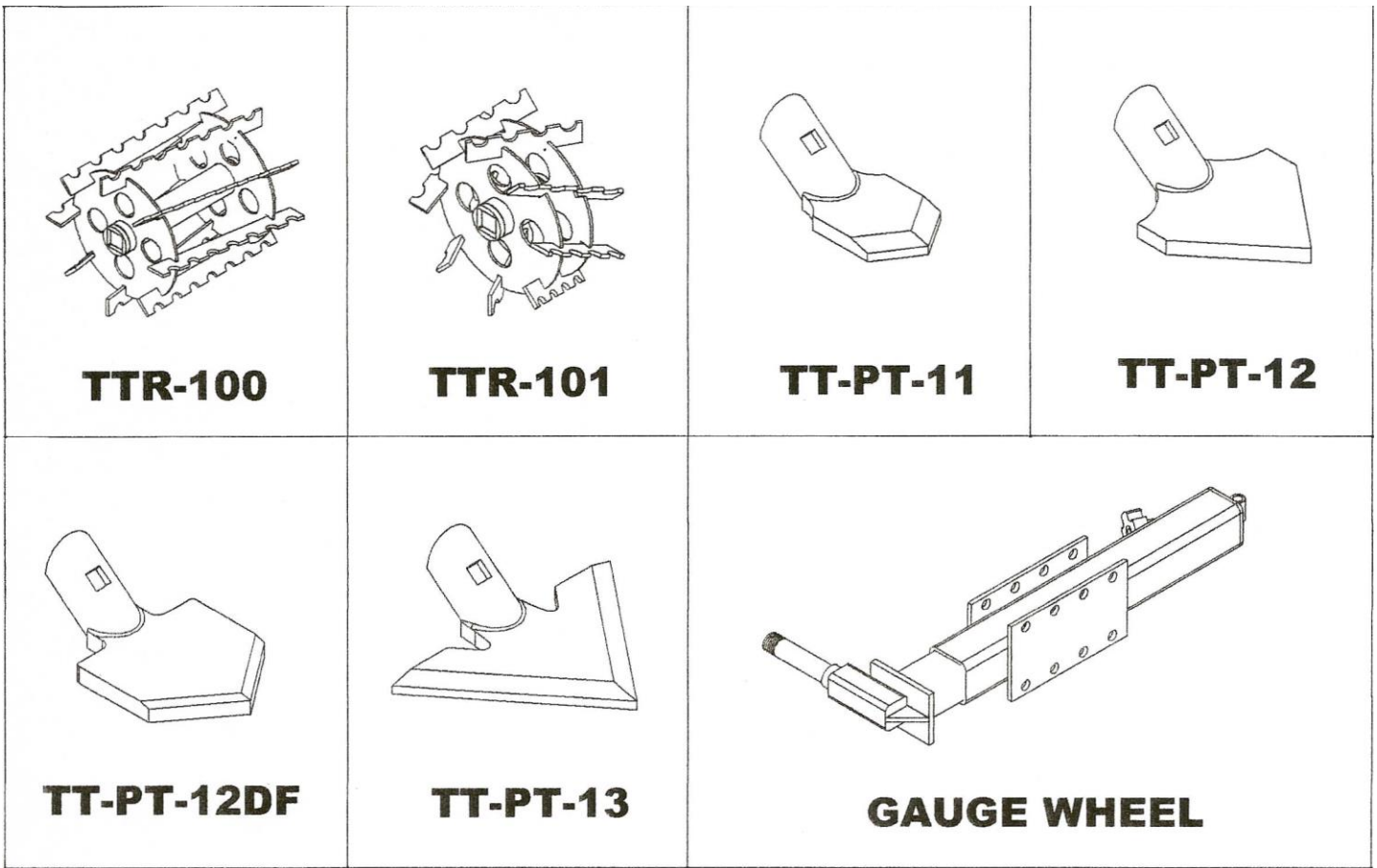
# TT-M-500



## SPIKE AND MULCHER ASSEMBLY

REF #	PART #	DESCRIPTION	WT/LB.
1	CV-61	CLAMP - SPIKE	
2	TT-M-101	SPIKE, TOOTH HARROW	2.0
3	CS38112-5	BOLT - 3/8" X 1 1/2" LG. GR. 5	
	LW38	LOCK WASHER - 3/8"	
	N38	NUT - 3/8"	
4	TTH-308	SPIKE TOOTH HOLDER - 3' 8"	
	TTH-401	SPIKE TOOTH HOLDER - 4' 0"	
	TTH-501	SPIKE TOOTH HOLDER - 5' 0"	
	TT-505-01	SPIKE TOOTH HOLDER - 5' 5"	
	TT-601	SPIKE TOOTH HOLDER - 6' 0"	
	TT-606-01	SPIKE TOOTH HOLDER - 6' 6"	
	TT-609-01	SPIKE TOOTH HOLDER - 6' 9"	
	TT-701	SPIKE TOOTH HOLDER - 7' 0"	
	TT-801	SPIKE TOOTH HOLDER - 8' 0"	
	TT-807-01	SPIKE TOOTH HOLDER - 8' 7"	
5	TT-101	MULCHER BRACKET, FRONT	15.0
5a	TT-101-C	CLAMP	
	CS124-5	BOLT - 1/2" X 4" LG. GR. 5	
	LW-12	LOCK WASHER - 1/2"	
	N1/2"	NUT - 1/2"	
6	TT-I-BOLT	JIG LATCH BOLT 1/2-13 X 4 5/16"	0.5
	LN12	LOCK NUT - 1/2"	
7	TT-106	SPRING, TENSION - 5/16" X 10" LG.	3.5
8	TT-105	SPACER	1.0

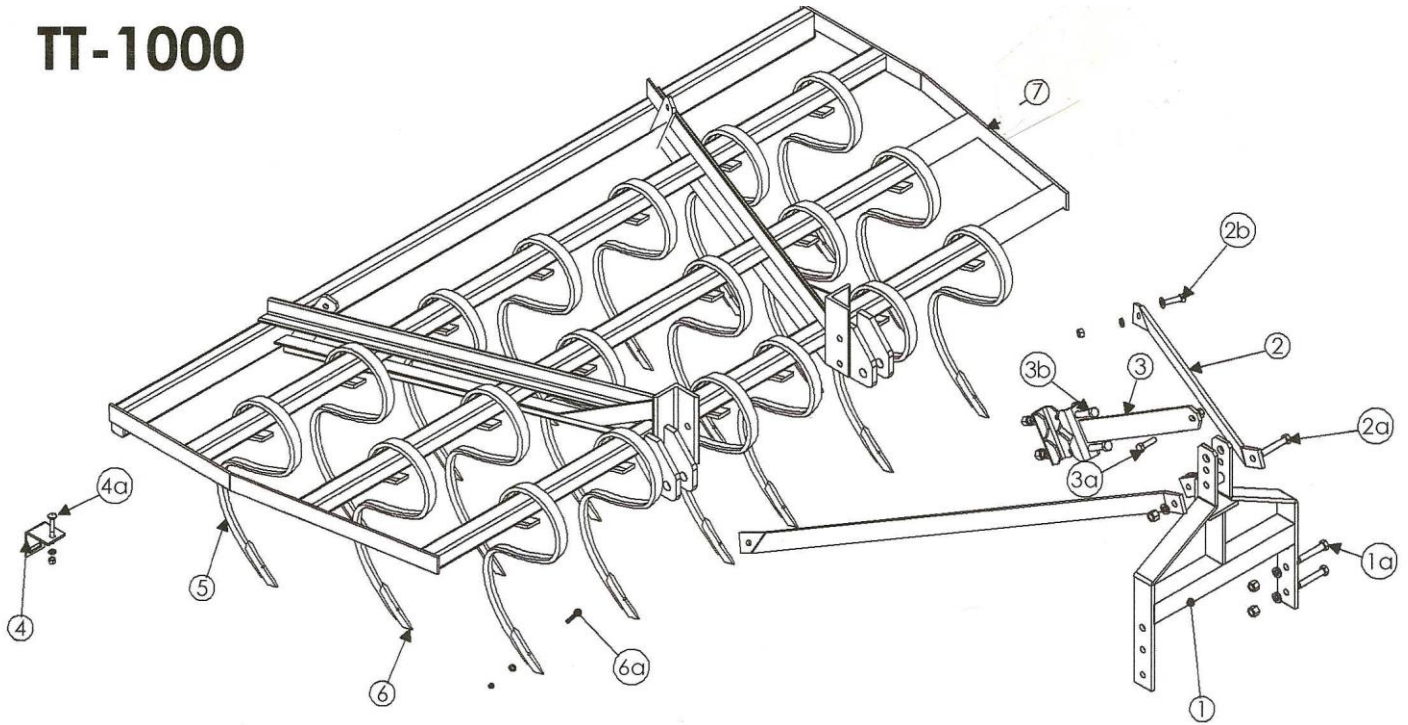
REF #	PART #	DESCRIPTION	WT/LB.
9	TT-102	HOLDER, TOOTH HARROW	20.0
9a	CS58212-5	BOLT - 5/8" X 2 1/2" LG. GR. 5	
	LX58	LOCK WASHER - 5/8"	
	N58	NUT - 5/8"	
10	CS344-5	BOLT - 3/4" X 4" LG. GR. 5	
	LN34	LOCK NUT 3/4"	
11	CS584-5	BOLT - 5/8" X 4" LG. GR. 5	
	LN58	LOCK NUT - 5/8"	
12	TT-103	MULCHER BRACKET, REAR	10.0
12a	TT-103-C	CLAMP	2.0
13	CS12312-5	BOLT - 5/8" X 4" LG. GR. 5	
	LW12	LOCK WASHER - 1/2"	
	N	NUT - 1/2"	
14	CS584-5	BOLT - 1/2" X 4" LG. GR. 5	
	LN58	LOCK NUT - 5/8"	
15	CS124-5	BOLT - 1/2" X 4" LG. GR. 5	
	LN12	LOCK NUT - 1/2"	
16	TT-MF-308	MULCHER FRAME 3'8"	N/A
	TT-404	MULCHER FRAME 4'0"	25.0
	TT-504	MULCHER FRAME 5'0"	31.0
	TT-505-04	MULCHER FRAME 5'5"	34.0
	TT-604	MULCHER FRAME 6'0"	37.0
	TT-606-04	MULCHER FRAME 6'6"	41.0
	TT-609-4	MULCHER FRAME 6'9"	43.0
	TT-704	MULCHER FRAME 7'0"	44.0
	TT-804	MULCHER FRAME 8'0"	50.0
	TT-807-04	MULCHER FRAME 8'7"	54.0
17	TT-205	BEARING (4) BOLT FLANGETTE	3.05
18	CS38112-5	BOLT - 3/8" X 1 1/2" LG. GR. 5	
	LW38	LOCK WASHER - 3/8"	
	N	NUT - 3/8"	
19	TTR-308	MULCHER FRAME 3'8"	N/A
	TTR-400	MULCHER FRAME 4'0"	61.0
	TTR-500	MULCHER FRAME 5'0"	76.0
	TTR-505	MULCHER FRAME 5'5"	83.0
	TTR-600	MULCHER FRAME 6'0"	91.0
	TTR-606	MULCHER FRAME 6'6"	100.0
	TTR-609	MULCHER FRAME 6'9"	106.0
	TTR-700	MULCHER FRAME 7'0"	109.0
	TTR-800	MULCHER FRAME 8'0"	121.0
	TTR-807	MULCHER FRAME 8'7"	132.0



## OPTIONAL ATTACHMENTS

REF #	PART #	DESCRIPTION	WT/LB.
1	TTR-100	MULCHER, 14 3/4" LG.	21.25
2	TTR-101	MULCHER, 7 3/8" LG.	14.2
3	TT-PT-11	POINT GOOSEFOOT SWEEP 2 3/4" X 6 mm X 1/4"	0.5
4	TT-PT-11DF	POINT GOOSEFOOT SWEEP 2 3/4" X 6 mm X 1/4" (DURA-FACE)	1.0
5	TT-PT-12	POINT - 4" SWEEP 6 mm X 1/4"	0.7
6	TT-PT-12DF	POINT - 4" SWEEP 6mm X 1/4" (DURA-FACE)	
7	TT-PT-13	POINT 7" SWEEP 6 mm X 1/4"	1.0
8	TT-PT13DF	POINT 7" SWEEP 6 mm X 1/4" (DURA-FACE)	1.4
9	GAUGE WHEEL	GAUGE WHEEL OPTON-PR 5.70-8 TIRE WITH TUBE – 140 LBS.	

# TT-1000

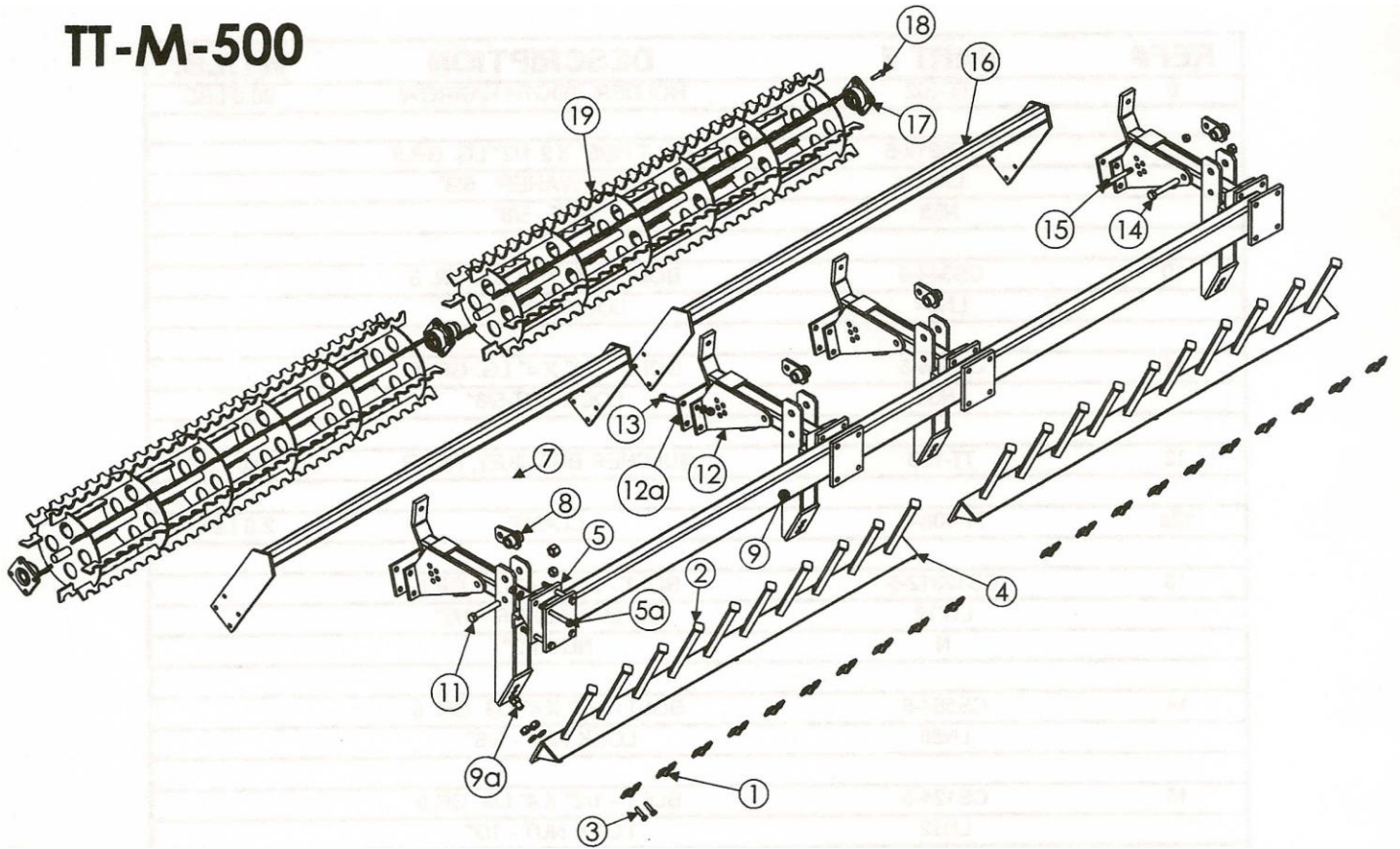


## TRI-TILL MAIN FRAME & A-FRAME

REF #	PART #	DESCRIPTION	WT/LB.
1	TT-104	A FRAME TRI-TILL	55.0
1a	CS345-5	BOLT - 3/4 X 4 LG. GR. 5	
	LW34	LOCK WASHER - 3/4"	
	N34	NUT - 3/4"	
2	TT-503	BRACE - A FRAME 5 FT.	18.0
	TT-603	BRACE - A FRAME 6 FT.	
	TT-703L	BRACE - A FRAME L.H. 7 FT - 9 FT.	
	TT-703R	BRACE - A FRAME R.H. 7 FT. - 9 FT.	
	TT-1003	BRACE - A FRAME R.H. 10 FT. - 14 FT.	20.5
	TT-1004	BRACE - A FRAME L.H. 10 FT. - 14 FT.	
2a	CS345-5	BOLT - 3/4 X 4 LG. GR. 5	
	LW34	LOCK WASHER - 3/4"	
	N34	NUT - 3/4"	
2b	CS582-5	BOLT - 5/8" X 2" LG. GR. 5	
	LW58	LOCK WASHER - 5/8"	
	N58	NUT - 5/8"	
3	TT-104-5	CENTER BRACE W/ACC-2 CLAMP (10'14')	
3a	CS58212-5	BOLT - 5/8" X 2 1/2" LG. GR. 5	
	LW58	LOCK WASHER - 5/8"	
	FW58	FLAT WASHER - 5/8"	
	N58	NUT - 5/8"	
3b	CS347-5	BOLT - 3/4" X 7" LG. GR. 5	
	LW34	LOCK WASHER 3/4"	
	N34	NUT 3/4"	

REF #	PART #	DESCRIPTION	WT/LB.
4	TT-705	CLAMP - S TINE	1.0
4a	CS124	CARRIAGE BOLT - 1/2" 4" LG. GR. 5	N/A
	LW12	LOCK WASHER 1/2"	N/A
	N12	NUT - 1/2"	N/A
5	TT-ST	S TINE SANIS (1/2" X 1 3/4" X 18 1/2" LG.)	10.5
6	TT-PT-10	POINT - REVERSIBLE 6mm. X 1/4"	N/A
6a	PB382-5	PLOW BOLT - 3/8" NC. X 2" LG. GR. 5	60
	LW12	LOCK WASHER - 3/8"	N/A
	FW38	FLAT WASHER - 3/8"	N/A
	N38	NUT - 3/8"	N/A
7	TT-306	MAIN FRAME - 3" 8"	N/A
	TT-400	MAIN FRAME - 4" 0"	N/A
	TT-500	MAIN FRAME - 5" 0"	N/A
	TT-600	MAIN FRAME - 6" 0"	N/A
	TT-700	MAIN FRAME - 7" 0"	N/A
	TT-800	MAIN FRAME - 8" 0"	N/A
	TT-900	MAIN FRAME - 9" 0"	N/A
	TT-1000	MAIN FRAME - 10" 0"	N/A
	TT-1200	MAIN FRAME - 12" 0"	N/A
	TT-1400	MAIN FRAME - 14" 0"	N/A

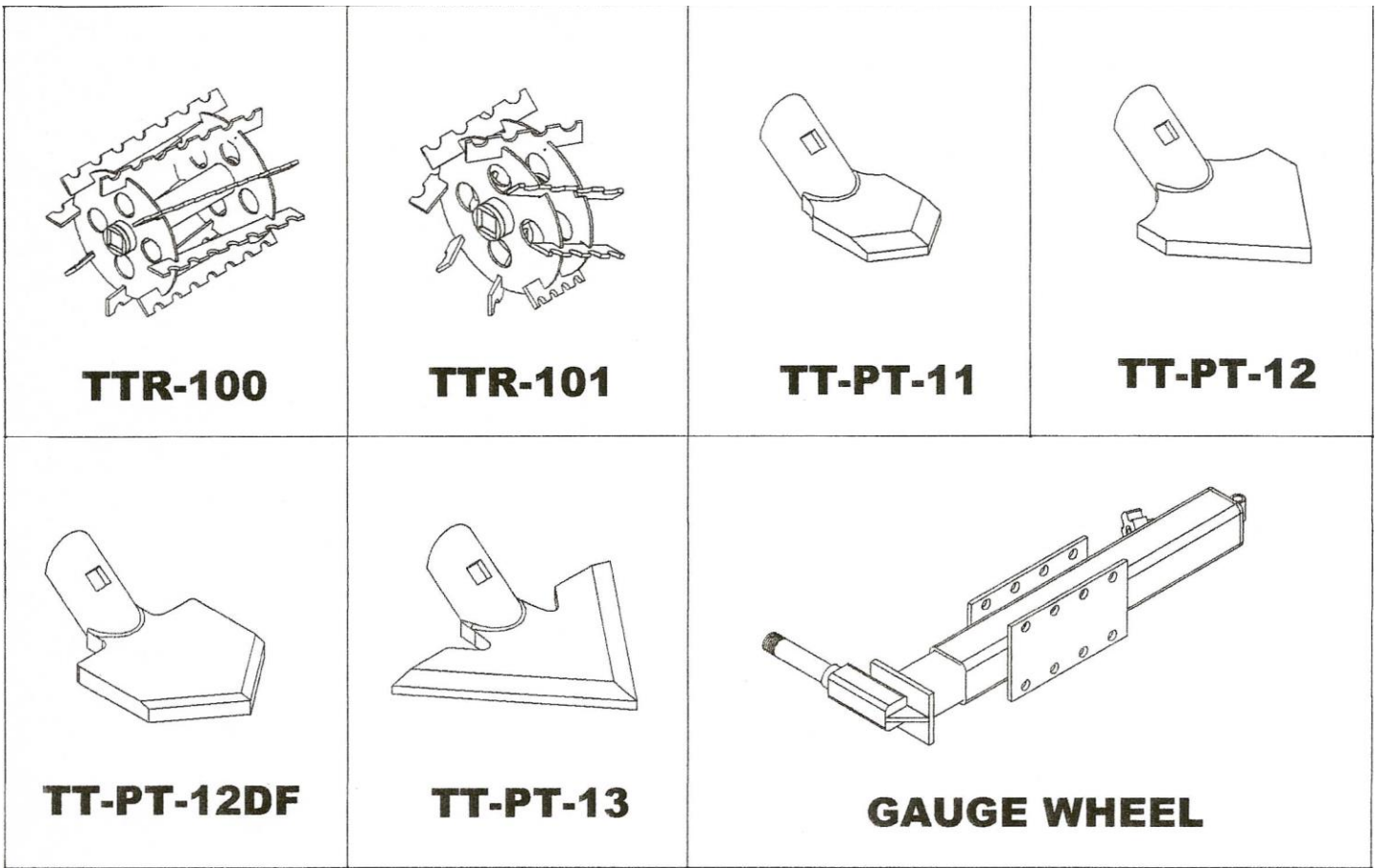
# TT-M-500



## SPIKE AND MULCHER ASSEMBLY

REF #	PART #	DESCRIPTION	WT/LB.
1	CV-61	CLAMP - SPIKE	
2	TT-M-101	SPIKE, TOOTH HARROW	2.0
3	CS38112-5	BOLT - 3/8" X 1 1/2" LG. GR. 5	
	LW38	LOCK WASHER - 3/8"	
	N38	NUT - 3/8"	
4	TTH-308	SPIKE TOOTH HOLDER - 3' 8"	
	TTH-401	SPIKE TOOTH HOLDER - 4' 0"	
	TTH-501	SPIKE TOOTH HOLDER - 5' 0"	
	TT-505-01	SPIKE TOOTH HOLDER - 5' 5"	
	TT-601	SPIKE TOOTH HOLDER - 6' 0"	
	TT-606-01	SPIKE TOOTH HOLDER - 6' 6"	
	TT-609-01	SPIKE TOOTH HOLDER - 6' 9"	
	TT-701	SPIKE TOOTH HOLDER - 7' 0"	
	TT-801	SPIKE TOOTH HOLDER - 8' 0"	
	TT-807-01	SPIKE TOOTH HOLDER - 8' 7"	
5	TT-101	MULCHER BRACKET, FRONT	15.0
5a	TT-101-C	CLAMP	
	CS124-5	BOLT - 1/2" X 4" LG. GR. 5	
	LW-12	LOCK WASHER - 1/2"	
	N1/2"	NUT - 1/2"	
6	TT-I-BOLT	JIG LATCH BOLT 1/2-13 X 4 5/16"	0.5
	LN12	LOCK NUT - 1/2"	
7	TT-106	SPRING, TENSION - 5/16" X 10" LG.	3.5
8	TT-105	SPACER	1.0

REF #	PART #	DESCRIPTION	WT/LB.
9	TT-102	HOLDER, TOOTH HARROW	20.0
9a	CS58212-5	BOLT - 5/8" X 2 1/2" LG. GR. 5	
	LX58	LOCK WASHER - 5/8"	
	N58	NUT - 5/8"	
10	CS344-5	BOLT - 3/4" X 4" LG. GR. 5	
	LN34	LOCK NUT 3/4"	
11	CS584-5	BOLT - 5/8" X 4" LG. GR. 5	
	LN58	LOCK NUT - 5/8"	
12	TT-103	MULCHER BRACKET, REAR	10.0
12a	TT-103-C	CLAMP	2.0
13	CS12312-5	BOLT - 5/8" X 4" LG. GR. 5	
	LW12	LOCK WASHER - 1/2"	
	N	NUT - 1/2"	
14	CS584-5	BOLT - 1/2" X 4" LG. GR. 5	
	LN58	LOCK NUT - 5/8"	
15	CS124-5	BOLT - 1/2" X 4" LG. GR. 5	
	LN12	LOCK NUT - 1/2"	
16	TT-MF-308	MULCHER FRAME 3'8"	N/A
	TT-404	MULCHER FRAME 4'0"	25.0
	TT-504	MULCHER FRAME 5'0"	31.0
	TT-505-04	MULCHER FRAME 5'5"	34.0
	TT-604	MULCHER FRAME 6'0"	37.0
	TT-606-04	MULCHER FRAME 6'6"	41.0
	TT-609-4	MULCHER FRAME 6'9"	43.0
	TT-704	MULCHER FRAME 7'0"	44.0
	TT-804	MULCHER FRAME 8'0"	50.0
	TT-807-04	MULCHER FRAME 8'7"	54.0
17	TT-205	BEARING (4) BOLT FLANGETTE	3.05
18	CS38112-5	BOLT - 3/8" X 1 1/2" LG. GR. 5	
	LW38	LOCK WASHER - 3/8"	
	N	NUT - 3/8"	
19	TTR-308	MULCHER FRAME 3'8"	N/A
	TTR-400	MULCHER FRAME 4'0"	61.0
	TTR-500	MULCHER FRAME 5'0"	76.0
	TTR-505	MULCHER FRAME 5'5"	83.0
	TTR-600	MULCHER FRAME 6'0"	91.0
	TTR-606	MULCHER FRAME 6'6"	100.0
	TTR-609	MULCHER FRAME 6'9"	106.0
	TTR-700	MULCHER FRAME 7'0"	109.0
	TTR-800	MULCHER FRAME 8'0"	121.0
	TTR-807	MULCHER FRAME 8'7"	132.0



## OPTIONAL ATTACHMENTS

REF #	PART #	DESCRIPTION	WT/LB.
1	TTR-100	MULCHER, 14 3/4" LG.	21.25
2	TTR-101	MULCHER, 7 3/8" LG.	14.2
3	TT-PT-11	POINT GOOSEFOOT SWEEP 2 3/4" X 6 mm X 1/4"	0.5
4	TT-PT-11DF	POINT GOOSEFOOT SWEEP 2 3/4" X 6 mm X 1/4" (DURA-FACE)	1.0
5	TT-PT-12	POINT - 4" SWEEP 6 mm X 1/4"	0.7
6	TT-PT-12DF	POINT - 4" SWEEP 6mm X 1/4" (DURA-FACE)	
7	TT-PT-13	POINT 7" SWEEP 6 mm X 1/4"	1.0
8	TT-PT13DF	POINT 7" SWEEP 6 mm X 1/4" (DURA-FACE)	1.4
9	GAUGE WHEEL		



# DOMRIES ENTERPRISES, INC.

12281 Road 29, Madera CA 93638 • (P) 559-673-9143 • (F) 559-673-4110

---

---

## WARRANTY

---

---

Under this warranty Domries' obligation shall be limited to repairing or replacing, free of charge to the original purchaser, any defective part. Each part is subject to our assessment, and must show evidence of a manufacturing defect.

Product will be returned to Domries, routed through the dealer from whom the purchase was made. The cost of the repair or replacement shall not be higher than the purchase price of the product, excluding tax, shipping, and installation charges.

A claim for warranty must be made with a Domries Warranty Form with a work order number. An authorized work order number is **REQUIRED** prior to any field/repair work to be done by Domries.

### RETURN GOODS

Domries reserves the right of requiring the prepaid return of any parts claimed to be defective. However, **NO** parts shall be returned **without** Domries warranty form with a work order number. Goods shall be returned to such location as shall be designated by Domries.

Domries will at its discretion, either repair, replace, or freight outbound product from Domries factory. Domries will inspect all parts for defectiveness in materials and/or workmanship. Wear and tear that is determined to be defective, are subject to an adjustment based upon useful life.

### REPAIR

Domries will not accept any charges other than its direct Dealer shop labor costs and parts required to repair such parts and/or workmanship at the Dealers place of business. The **WARRANTY** specifically excludes any charges for delivery, transportation, and/or shipping costs.

If the dealer is requested by the customer to travel or haul the machine to its shop or repair shop for the purpose of performing a warranty obligation or free inspection, it would be for the customer's convenience, and the cost of such a trip is to be paid by the customer. Any arrangement whereby the Dealer agrees to absorb all or a part of the cost is to be made **SOLELY** between the Dealer and the Customer (to be considered a courtesy to the customer by their Dealer).

### LIMITED WARRANTY

Outside purchased equipment and accessories (not of Domries manufacture) are warranted only to the extent of the original manufacturer's warranty to Domries. Examples of limited items include, Hydraulic cylinders and hoses, Bearings, Disc Blades, Wheels, Tires, Tubes, and Seals.

### NO WARRANTY

1. New product that has been subjected to operation in excess of recommended capacities, misused, negligence, lack of maintenance, an accident or have been **altered/repared in any manner not authorized by Domries**.

2. Sharp turns while machine/cutting parts are in the ground void warranty, with the exception of a drag disc.

Domries shall in no event be responsible for any delay or any other consequential or indirect damage in connection with fulfilling any obligation under this WARRANTY.

Domries reserves the right to make change at any time in designs, materials and/or specifications of its product without becoming liable or obligated in any way to make similar changes in previously manufactured products.

This **WARRANTY IS IN LIEU OF ALL OTHER WARRANTIES COVERING DOMRIES PRODUCTS** and no other warranties expressed or implied are made or authorized by Domries Enterprises, Inc.

**DEALER/SALESMAN:** \_\_\_\_\_ **DATE:** \_\_\_\_\_

**DOMRIES REP.:** \_\_\_\_\_ **DATE:** \_\_\_\_\_