

SERIES MODEL TFO

**PARTS
&
OPERATOR
MANUAL**

**EXTRA
HEAVY
DUTY**

Domries Enterprises, Inc

12281 Road 29

Madera, California 93638

Phone (559) 673-9143 Fax (559) 673-4110

Visit our Web Site at WWW.domriesentinc.com



ATTENTION! BECOME ALERT!

YOUR SAFETY IS INVOLVED!

This Symbol is used to call your attention to safety precautions. That should be followed by the operator to avoid accidents. When you see this – Heed Its Warning.

Many hours of lost time and much suffering is caused by the failure to practice simple safety rules.

1. **READ** this manual carefully to acquaint your – self with the Disk Harrow. Opening unfamiliar equipment can cause accidents.
2. **Lower Implement** if possible, when adjusting maintenance work; otherwise **BLOCKS IT SECURELY** at a workable height.
3. **When Implement** and tractor is parked always lower disk to the ground and place a **FLAG OR OTHER WARNING DEVICE** on each corner as someone could run or bump into the implement.
4. Implement should be **DETACHED ONLY** in an area where Children **DO NOT PLAY**.
5. **DO NOT** wear loose fitting clothing that could catch on various parts.
6. Machinery should be **OPERATED ONLY** by those who are **RESPONSIBLE AND DELEGATED** to do so.
7. **ONLY ONE PERSON** – the operator – should be permitted on the tractor when implement is in operation, he should be thoroughly familiar with tractor and implement.
8. **MAKE CERTAIN** that everyone is clear before starting tractor and implement combination.
9. **BEFORE WORKING** under the any hydraulically controlled unit **MAKE SURE** it is **SECURELY BLOCKED**.
10. The **RATE OF SPEED** on hillsides or curves should be regulated so there is no danger of tipping.
11. **DO NOT** drive too close to the edge of a ditch or creek.
12. **REDUCE SPEED** when transporting unit to avoid bouncing and momentary loss of steer ability.
13. **MAKE CERTAIN** tractor is equipped with sufficient front-end weight to counter-balance the plow weight and maintain stability of front of tractor
14. **DO NOT** attempt to operate tractor and implement unless you are in the driver seat.
15. **ALWAYS** place transmission in **PARK or NEUTRAL, LOCK BRAKES, STOP ENGINE AND REMOVE START KEY** before dismounting from the tractor.
16. **NEVER** stand between tractor and disc when hitching.
17. **PROVIDE** a first aid kit. Treat all scratches, cuts, etc. with proper antiseptic immediately.
18. If **DECALS** become damaged or come off, they should be replaced immediately.
19. **REMEMBER** that safe operation is no accident.

IMPORTANT! PLEASE READ!

TO OUR CUSTOMER – USER’S RESPONSIBILITY- WARRANTY

TO OUR CUSTOMER

The following pages and illustrations are printed to help supply you with the knowledge to better operate and service your new DOMRIES equipment.

We are proud to have you as a customer and feel you will be proud to be a DOMRIES owner.

Any piece of equipment needs and must have a certain amount of service and maintenance to keep it in top running condition. We have attempted to cover all the adjustments required to fit most conditions; however, there may be times special care must be taken to fit a condition.

Study this operator’s manual carefully and become acquainted with all the adjustments and operating procedures before attempting to operate your new equipment. Remember, it is a machine and has been designed and tested to do an efficient job in most operating conditions and will perform in relation to the service it receives.

If special attention is required for some conditions, ask your DOMRIES dealer; his Parts and Service Organization will be glad to help and answer any question on operation and service of your new machine.

ATTENTION! BECOME ALERT!

YOUR SAFETY IS INVOLVED

This symbol is used to call your attention to safety precautions that should be followed by the operator to avoid accidents. When you see this symbol – Heed Its Warning.

USER’S RESPONSIBILITY

It is the responsibility of the user to read the Operator’s Manual and understand the safe and correct operating procedures as pertains to the operation of the product, and to lubricate and maintain the product according to the maintenance schedule in the Operator’s Manual.

The user is responsible for inspecting his machine and for having parts repaired or replaced when continued use of the product would cause damage or excessive wear to the other parts. It is the user’s responsibility to deliver his machine to a DOMRIES dealer, for service or replacement of defective parts which are covered by the standard warranty. When requesting warranty service, you present your copy of delivery record.

MODEL# _____

SERIAL# _____

ON HIGHWAY OPERATION

1. Use the **SLOW-MOVING** vehicle emblem in daytime and approved warning lights at night, or during other periods of poor visibility, to prevent highway accidents.
2. **COMPLY** with Local highway regulation concerning moving machinery on highways.
3. **MAINTAIN** complete control of machines at all times when traveling on the highway
4. Due to the width of implement, **USE EXTRA CAUTION** on highways, far lanes and when approaching gates

SX-N
SXL-N
SERIES



3 POINT
TANDEM DISC HARROW

**EXTRA
HEAVY DUTY**



DOMRIES ENTERPRISES, INC

12281 Road 29

Madera, California 93638

Office (559) 673-9143 Fax (559) 673-4110

Visit our website @ www.domries.com



STANDARD FEATURES

- *EXTRA HEAVY WALL
- *TUBULAR CONSTRUCTION
- *HI TRASH CLEARANCE
- *TRUNNION TYPE BEARINGS
- *1 1/2" SQ. HI CARBON
- *STEEL GANG RODS
- *TRIPLE SEALED BALL BEARINGS
- *ADD-A-BLADE END
- *9" BLADE SPACING
- *CAT. #1 OR #2 'A'
- *FRAME - SPECIFY
- *DRAFT CONTROL

OPTIONS

- *BLADE CLEANERS
- *HEAVY GAUGE BLADES
- *BOLT ON ADD-A-BLADE EXTENSIONS

Domries



RUGGED HITCHING BAR HAS DRAFT CONTROL SELECTION



TRUNNION TYPE BEARINGS WITH STEEL PLATE FORGED BRACKETS

MODEL	A.S.A.E. CUT	NO. OF BLADES	SIZE BLADES	BLADE EDGE		APPROX. WEIGHT
				FRONT	REAR	
TFO-1420	5'4"	14	22"	SM	SM	1,172
TFO-1440	5'6"	14	24"	SM	SM	1,261
TFO-1620	6'2"	16	22"	SM	SM	1,256
TFO-1640	6'3"	16	24"	SM	SM	1,357
TFO-1820	6'10"	18	22"	SM	SM	1,346
TFO-1840	7'0"	18	24"	SM	SM	1,460
TFO-2020	7'7"	20	22"	SM	SM	1,440
TFO-2040	7'8"	20	24"	SM	SM	1,567
TFO-2220	8'4"	22	22"	SM	SM	1,546
TFO-2240	8'5"	22	24"	SM	SM	1,686
TFO-2420	9'0"	24	22"	SM	SM	1,652
TFO-2440	9'2"	24	24"	SM	SM	1,804

OTHER SIZES AND BLADE EDGES AVAILABE



DOMRIES ENTERPRISES, INC

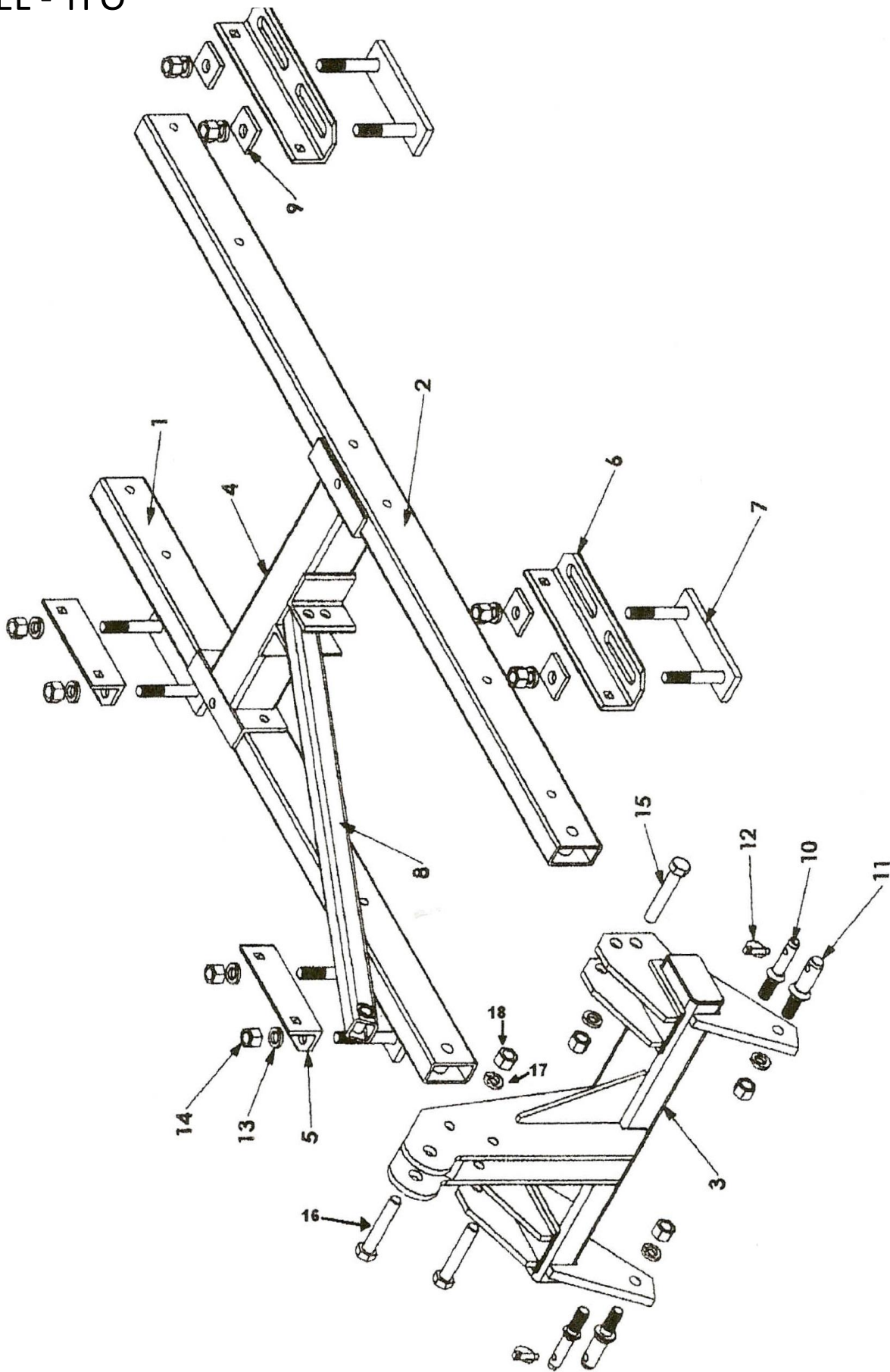
12281 Road 29

Madera, California 93638

Office (559) 673-9143 Fax (559) 673-4110

Visit our website @ www.domries.com

MODEL - TFO



TFO - Main Gang Frame

MODEL-TFO

Ref #	Part #	Main Gang Frame	Wt./lb	List Price
1	FO-1-1	Slide Rail - RH, 14 & 16 blade	45.5	
	FO-1-2	Slide Rail - RH, 18 blade	47.7	
	FO-1-3	Slide Rail - RH, 20 blade	99.7	
	FO-1-4	Slide Rail - RH, 22 blade	103.9	
	FO-1-5	Slide Rail - RH, 24 blade	108.1	
2	FO-2-1	Slide Rail - LH, 14 & 16 blade	58.1	
	FO-2-2	Slide Rail - LH, 18 blade	58.1	
	FO-2-3	Slide Rail - LH, 20 blade	128	
	FO-2-4	Slide Rail - LH, 22 blade	132.2	
	FO-2-5	Slide Rail - LH, 24 blade	136.4	
3	FO-3-1	"A" Frame - Cat I (14, 16, & 18 blade)	126.3	
	FO-3-2	"A" Frame - Cat II (14, 16, & 18 blade)	126.2	
	FO-3-3	"A" Frame - Cat I (20, 22, & 24 blade)	126.3	
	FO-3-4	"A" Frame - Cat II (20, 22, & 24 blade)	126.2	
4	FO-4-1	Crossmember - 14, 16, & 18 blade	37.9	
	FO-4-2	Crossmember - 20, 22, & 24 blade	55.7	
5	FO-5	Angle Mnt - RH	4.5	
6	FO-6	Angle Mnt - LH	6.5	
7	FO-7	Clamp Plate	5.8	
8	FO-16	Brace - 'A' Frame (14, 16, & 18 blade)	22.6	
	FO-17	Brace - 'A' Frame (20, 22, & 24 blade)	23	
9	W1029C	Flat Washer Frame Bolt	0.2	
10	ALP-2	Lift Pin - Cat I, 7/8 x 6	0.5	
11	ALP-6	Lift Pin - Cat II, 1-1/8 x 6	1	
12	BLD33	Klick Pin, 7/16 dia	0.2	
13	LW78	Lockwasher, 7/8	0.1	
14	N78	Nut, 7/8	0.2	
15	CS78512-5	Capscrew, 7/8 x 5-1/2	2.2	
16	CS344-5	Capscrew, 3/4 x 4		
17	LW34	Lockwasher, 3/4		
18	N34	Nut, 3/4		

DOMRIES ENTERPRISES INC.

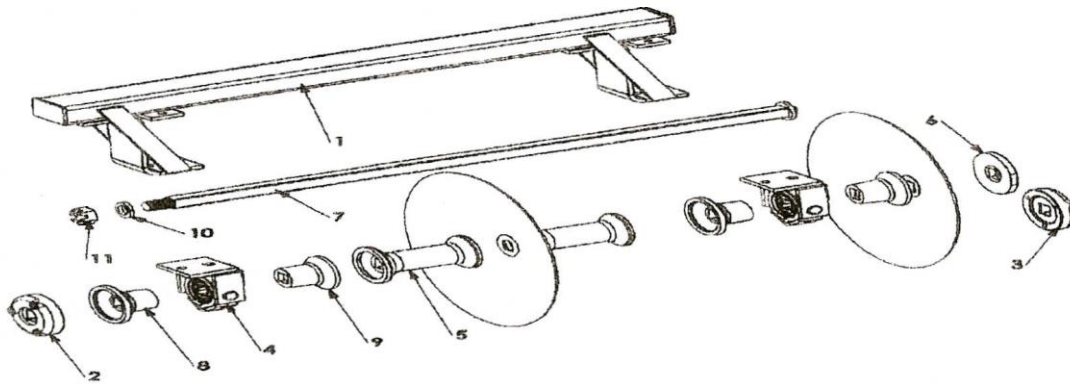
12281 Road 29

Madera, California 93638

Phone (559) 673-9143 Fax (559) 673-4110

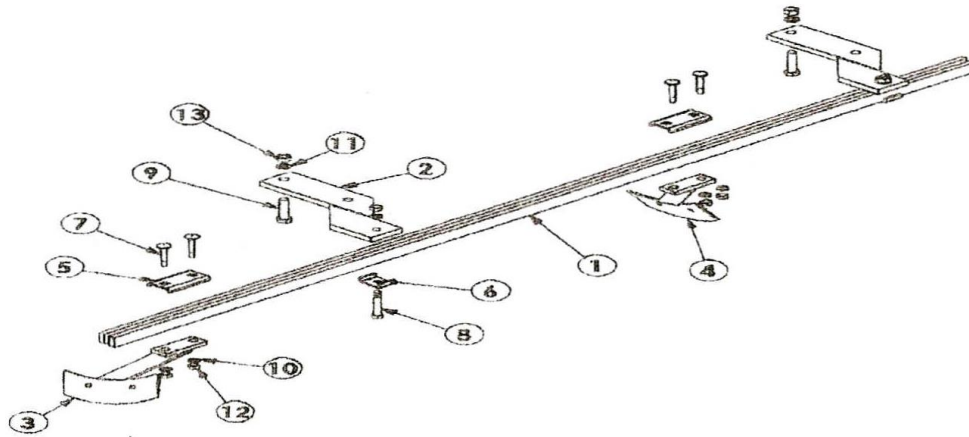
www.domrieseninc.com

MODEL-TFO



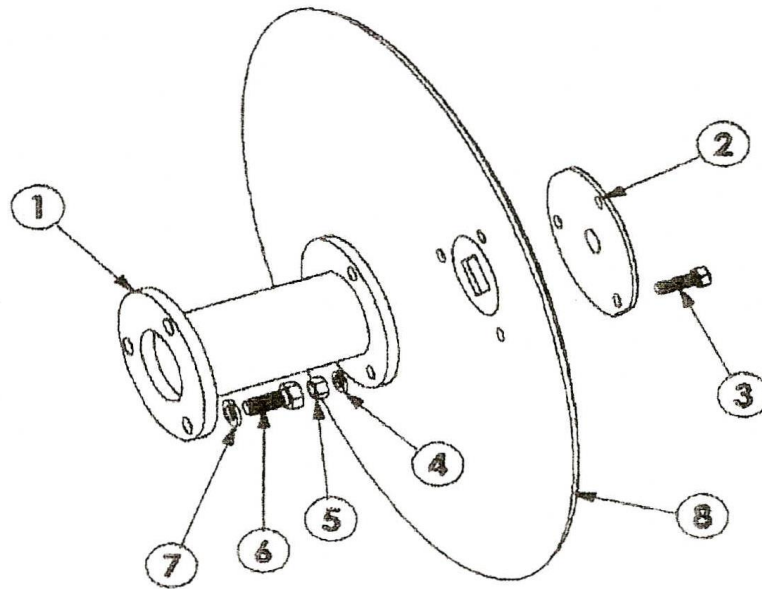
Ref #	Part #	Gang Frame Assembly	Wt./lb	List Price
1	FO-10-1	G. Frame - 7 blade	80	
	FO-10-2	G. Frame - 8 blade	93.5	
	FO-10-3	G. Frame - 9 blade	106	
	FO-10-4	G. Frame - 10 blade	118.5	
	FO-10-5	G. Frame - 11 blade	131.5	
2	JXE-18	Ext. Washer - CVX, 1-1/2sq	9	
3	JXE-19	Ext. Washer - CCV, 1-1/2sq	8	
4	X-80-A	Gng. Brg. Assy. - 1-1/2sq	17.3	
5	X-90	Full Spool, 1-1/2sq	12	
6	X-98	End Washer - Universal, 1-1/2sq	4.7	
7	XGR-5	Gang Rod - 1-1/2sq - 5 blade	26	
	XGR-6	Gang Rod - 1-1/2sq - 6 blade	32	
	XGR-7L	Gang Rod - 1-1/2sq - 7 blade	38.1	
	XGR-8L	Gang Rod - 1-1/2sq - 8 blade	44.1	
	XGR-9L	Gang Rod - 1-1/2sq - 9 blade	50.1	
	XGR-10L	Gang Rod - 1-1/2sq - 10 blade	56	
8	XJ-83	Half Spool - CCV, 1-1/2sq	6.5	
9	XJ-84	Half Spool - CVX, 1-1/2sq	5.7	
10	LW112	Lockwasher - Spring, 1-1/2sq	0.2	
11	SN112	Slotted Nut - 1-1/2nc, Hex	0.8	

MODEL-TFO

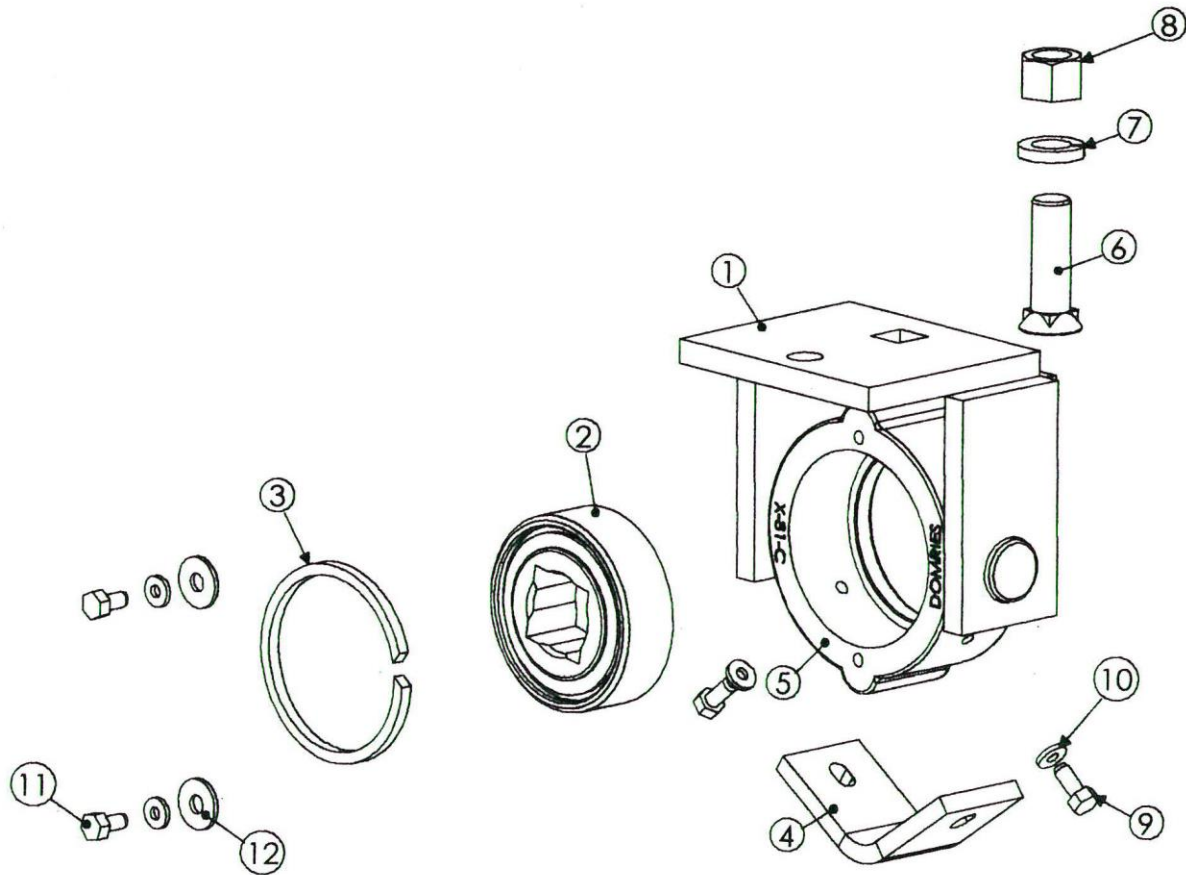


Ref #	Part #	Gang Frame Assembly	Wt./lb	List Price
1	FO-12-1	Cleaner Bar - 7 blade	30	
	FO-12-2	Cleaner Bar - 8 blade	34.4	
	FO-12-3	Cleaner Bar - 9 blade	38.3	
	FO-12-4	Cleaner Bar - 10 blade	43	
	FO-12-5	Cleaner Bar - 11 blade	46	
	FO-12-6	Cleaner Bar - 12 blade	49.9	
2	FO-12	Cleaner Bar Plate	8.5	
3	FO-13	Cleaner Arm Front	3.5	
4	FO-15	Cleaner Arm Rear	3.5	
5	WOC-110	Clamp-Cleaner Arm	0.5	
6	RPO-120	Clip-Scraper Arm	0.4	
7	CB123-5	Carriage Bolt - 1/2ncx 3 lg		
8	CS12312-5	Bolt - 1/2ncx3 1/2lg, GR5		
9	CS583-5	Bolt - 5/8ncx3lg, GR5		
10	LW12	Lock Washer Spring		
11	LW58	Lock Washer Spring		
12	N12	Nut - 1/2nx, Hex		
13	N58	Nut - 5/8nc, Hex		

MODEL-TFO



Ref #	Part #	Gang Frame Assembly	Wt./lb	List Price
1	JXE-17	Ext. Spool - (Blade Pulls In) 9"	11	
2	JXE-20	Cap-Ext. Spool, Universal, 1 ½	3	
3	CS12112-5	Bolt-1/2ncx1 1/2lg, GR 5		
4	LW12	Lock Washer-Spring		
5	N12	Nut-1/2nc, Hex		
6	CS58112-5	Bolt-5/8ncx1 1/2lg, GR 5		
7	LW58	Lock Washer-Spring		
8	EXB-22	Ext. Blade-22"d Sld Edg, 1 1/2sq	19	
	EXB-22N	Ext. Blade-22"d Notched, 1 1/2sq	18	
	EXB-24	Ext. Blade-24"d Sld Edg, 1 1/2sq	25	
	EXB-24N	Ext. Blade-24"d Notched, 1 1/2sq	23	
	EXB-26	Ext. Blade-26"d Sld Edg, 1 1/2sq	31.5	



X-80-A-KIT

Ref #	Part #	Gang Frame Assembly	Wt./lb
1	X-81	BEARING HOUSING WELDMENT	12.0
2	X-85	BEARING 1 1/2" SQ.	2.0
3	X-86	STOP RING	0.2
4	K-88	WEAR PLATE	2.0
5	X-81-C	BEARING HOUSING CASTING ONLY	5.8
6	PB34214-8	PLOW BOLT - 3/4" NC. X 2 1/4" LG. GR. 8	N/A
7	LW34	LOCK WASHER - 3/4"	N/A
8	N34	NUT - 3/4"	N/A
9	CS51634-5	BOLT - 5/16" NC. X 3/4" LG. GR. 5	N/A
10	FW14	FLAT WASHER - 1/4"	N/A
11	CS51658-5	BOLT - 5/16" NC. X 5/8" LG. GR. 5	N/A
12	FW38	FLAT WASHER - 1/4"	N/A



DOMRIES ENTERPRISES, INC.

12281 Road 29, Madera CA 93638 • (P) 559-673-9143 • (F) 559-673-4110

WARRANTY

Under this warranty Domries' obligation shall be limited to repairing or replacing, free of charge to the original purchaser, any defective part. Each part is subject to our assessment, and must show evidence of a manufacturing defect.

Product will be returned to Domries, routed through the dealer from whom the purchase was made. The cost of the repair or replacement shall not be higher than the purchase price of the product, excluding tax, shipping, and installation charges.

A claim for warranty must be made with a Domries Warranty Form with a work order number. An authorized work order number is **REQUIRED** prior to any field/repair work to be done by Domries.

RETURN GOODS

Domries reserves the right of requiring the prepaid return of any parts claimed to be defective. However, **NO** parts shall be returned **without** Domries warranty form with a work order number. Goods shall be returned to such location as shall be designated by Domries.

Domries will at its discretion, either repair, replace, or freight outbound product from Domries factory. Domries will inspect all parts for defectiveness in materials and/or workmanship. Wear and tear that is determined to be defective, are subject to an adjustment based upon useful life.

REPAIR

Domries will not accept any charges other than its direct Dealer shop labor costs and parts required to repair such parts and/or workmanship at the Dealers place of business. The **WARRANTY** specifically excludes any charges for delivery, transportation, and/or shipping costs.

If the dealer is requested by the customer to travel or haul the machine to its shop or repair shop for the purpose of performing a warranty obligation or free inspection, it would be for the customer's convenience, and the cost of such a trip is to be paid by the customer. Any arrangement whereby the Dealer agrees to absorb all or a part of the cost is to be made **SOLELY** between the Dealer and the Customer (to be considered a courtesy to the customer by their Dealer).

LIMITED WARRANTY

Outside purchased equipment and accessories (not of Domries manufacture) are warranted only to the extent of the original manufacturer's warranty to Domries. Examples of limited items include, Hydraulic cylinders and hoses, Bearings, Disc Blades, Wheels, Tires, Tubes, and Seals.

NO WARRANTY

1. New product that has been subjected to operation in excess of recommended capacities, misused, negligence, lack of maintenance, an accident or have been **altered/repared in any manner not authorized by Domries**.

2. Sharp turns while machine/cutting parts are in the ground void warranty, with the exception of a drag disc.

Domries shall in no event be responsible for any delay or any other consequential or indirect damage in connection with fulfilling any obligation under this WARRANTY.

Domries reserves the right to make change at any time in designs, materials and/or specifications of its product without becoming liable or obligated in any way to make similar changes in previously manufactured products.

This **WARRANTY IS IN LIEU OF ALL OTHER WARRANTIES COVERING DOMRIES PRODUCTS** and no other warranties expressed or implied are made or authorized by Domries Enterprises, Inc.

DEALER/SALESMAN: _____ **DATE:** _____

DOMRIES REP.: _____ **DATE:** _____