

SERIES OTH

**PARTS
AND
OPERATOR
MANUAL**

**ORCHARD
TANDEM
DISC
CUTTING
WIDTHS
11'1"
To
16'11"**

**Domries Enterprises, Inc
12281 Rd 29**

Madera, California 93638

Phone (559) 673-9143 Fax (559) 673-4110

Visit our Web-Site at www.domries.com



ATTENTION! BECOME ALERT!

YOUR SAFETY IS INVOLVED!

This Symbol is used to call your attention to safety precautions. That should be followed by the operator to avoid accidents. When you see this – Heed Its Warning.

Many hours of lost time and much suffering is caused by the failure to practice simple safety rules.

1. **READ** this manual carefully to acquaint your – self with the Disk Harrow. Opening unfamiliar equipment can cause accidents.
2. **Lower Implement** if possible, when adjusting maintenance work; otherwise **BLOCKS IT SECURELY** at a workable height.
3. **When Implement** and tractor is parked always lower disk to the ground and place a **FLAG OR OTHER WARNING DEVICE** on each corner as someone could run or bump into the implement.
4. Implement should be **DETACHED ONLY** in an area where Children **DO NOT PLAY**.
5. **DO NOT** wear loose fitting clothing that could catch on various parts.
6. Machinery should be **OPERATED ONLY** by those who are **RESPONSIBLE AND DELEGATED** to do so.
7. **ONLY ONE PERSON** – the operator – should be permitted on the tractor when implement is in operation, he should be thoroughly familiar with tractor and implement.
8. **MAKE CERTAIN** that everyone is clear before starting tractor and implement combination.
9. **BEFORE WORKING** under the any hydraulically controlled unit **MAKE SURE** it is **SECURELY BLOCKED**.
10. **The RATE OF SPEED** on hillsides or curves should be regulated so there is no danger of tipping.
11. **DO NOT** drive too close to the edge of a ditch or creek.
12. **REDUCE SPEED** when transporting unit to avoid bouncing and momentary loss of steer ability.
13. **MAKE CERTAIN** tractor is equipped with sufficient front-end weight to counter-balance the plow weight and maintain stability of front of tractor
14. **DO NOT** attempt to operate tractor and implement unless you are in the driver seat.
15. **ALWAYS** place transmission in **PARK or NEUTRAL, LOCK BRAKES, STOP ENGINE AND REMOVE START KEY** before dismounting from the tractor.
16. **NEVER** stand between tractor and disc when hitching.
17. **PROVIDE** a first aid kit. Treat all scratches, cuts, etc. with proper antiseptic immediately.
18. If **DECALS** become damaged or come off, they should be replaced immediately.
19. **REMEMBER** that safe operation is no accident.

ON HIGHWAY OPERATION

1. Use the **SLOW-MOVING** vehicle emblem in daytime and approved warning lights at night, or during other periods of poor visibility, to prevent highway accidents.
2. **COMPLY** with Local highway regulation concerning moving machinery on highways.
3. **MAINTAIN** complete control of machines at all times when traveling on the highway
4. Due to the width of implement, **USE EXTRA CAUTION** on highways, far lanes and when approaching gates

IMPORTANT! PLEASE READ!

TO OUR CUSTOMER – USER’S RESPONSIBILITY- WARRANTY

TO OUR CUSTOMER

The following pages and illustrations are printed to help supply you with the knowledge to better operate and service your new DOMRIES equipment.

We are proud to have you as a customer and feel you will be proud to be a DOMRIES owner.

Any piece of equipment needs and must have a certain amount of service and maintenance to keep it in top running condition. We have attempted to cover all the adjustments required to fit most conditions; however, there may be times special care must be taken to fit a condition.

Study this operator’s manual carefully and become acquainted with all the adjustments and operating procedures before attempting to operate your new equipment. Remember, it is a machine and has been designed and tested to do an efficient job in most operating conditions and will perform in relation to the service it receives.

If special attention is required for some conditions, ask your DOMRIES dealer; his Parts and Service Organization will be glad to help and answer any question on operation and service of your new machine.

ATTENTION! BECOME ALERT!

YOUR SAFETY IS INVOLVED

This symbol is used to call your attention to safety precautions that should be followed by the operator to avoid accidents. When you see this symbol – Heed Its Warning.

USER’S RESPONSIBILITY

It is the responsibility of the user to read the Operator’s Manual and understand the safe and correct operating procedures as pertains to the operation of the product, and to lubricate and maintain the product according to the maintenance schedule in the Operator’s Manual.

The user is responsible for inspecting his machine and for having parts repaired or replaced when continued use of the product would cause damage or excessive wear to the other parts. It is the user’s responsibility to deliver his machine to a DOMRIES dealer, for service or replacement of defective parts which are covered by the standard warranty. When requesting warranty service, you present your copy of delivery record.

MODEL# _____

SERIAL# _____

**OTH
SERIES**



**WHEEL TYPE
TANDEM DISC HARROW**



**CUTTING WIDTHS
11'1" TO 16'11"**



DOMRIES ENTERPRISES, INC

12281 Road 29

Madera, California 93638

Office (559) 673-9143 Fax (559) 673-4110

Visit our website @ www.domries.com



OTH-SPECIFICATIONS

MODEL	WIDTH OF CUT	NO. OF BLADES	SIZE BLADES	BLADE EDGE		SPACING		APPROX. REQ. P.T.O. -H.P.	APPROX. WT. LBS.
				FRONT/REAR	FRONT/REAR	FRONT/REAR	FRONT/REAR		
OTH-100-2840	11'1"	28	24"	Smooth	Smooth	9"	9"	60-80	4669
OTH-100-3240	12'6"	32	24"	Smooth	Smooth	9"	9"	65-85	4872
OTH-100-3640	14'0"	36	24"	Smooth	Smooth	9"	9"	75-95	5204
OTH-100-4040	15'5"	40	24"	Smooth	Smooth	9"	9"	85-100	4669
OTH-100-4440	16'11"	44	24"	Smooth	Smooth	9"	9"	95-110	5660

• see price sheet for notched and smooth combinations



HEAVY DUTY AXEL SHAFT



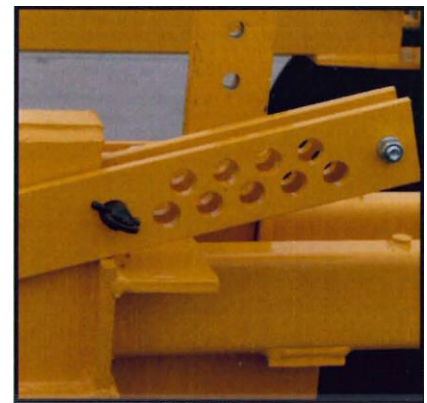
SINGLE TONGUE IS STANDARD
DOUBLE LIP AS AN OPTION



MOUNTED TURNBUCKLE
ADJUSTS HITCH TO
TRACTOR HEIGHT.

OPTIONS

- BLADE CLEANERS
- UTILITY HITCH
- DRAG BRACKETS
7" OR 16" EXT.
- FRONT DIRT DEFLECTERS
- ADD-A-BLADE EXTENSIONS



DEPTH CONTROL

DOMRIES ENTERPRISES, INC

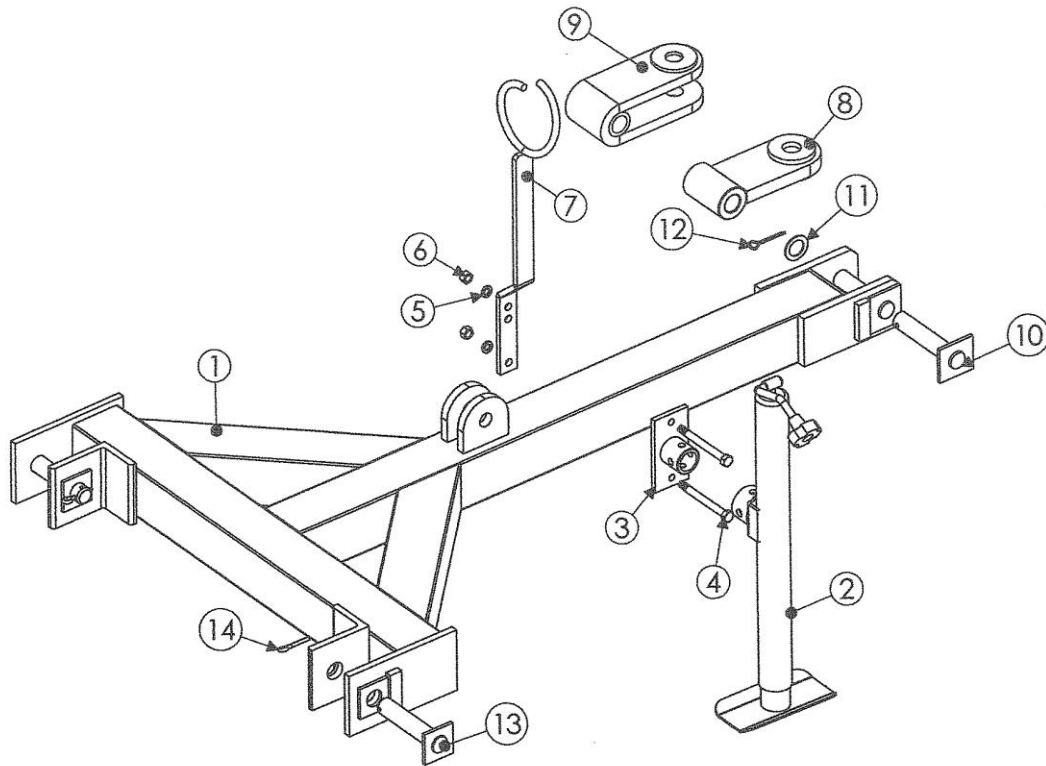
12281 Road 29

Madera, California 93638

Office (559) 673-9143 Fax (559) 673-4110

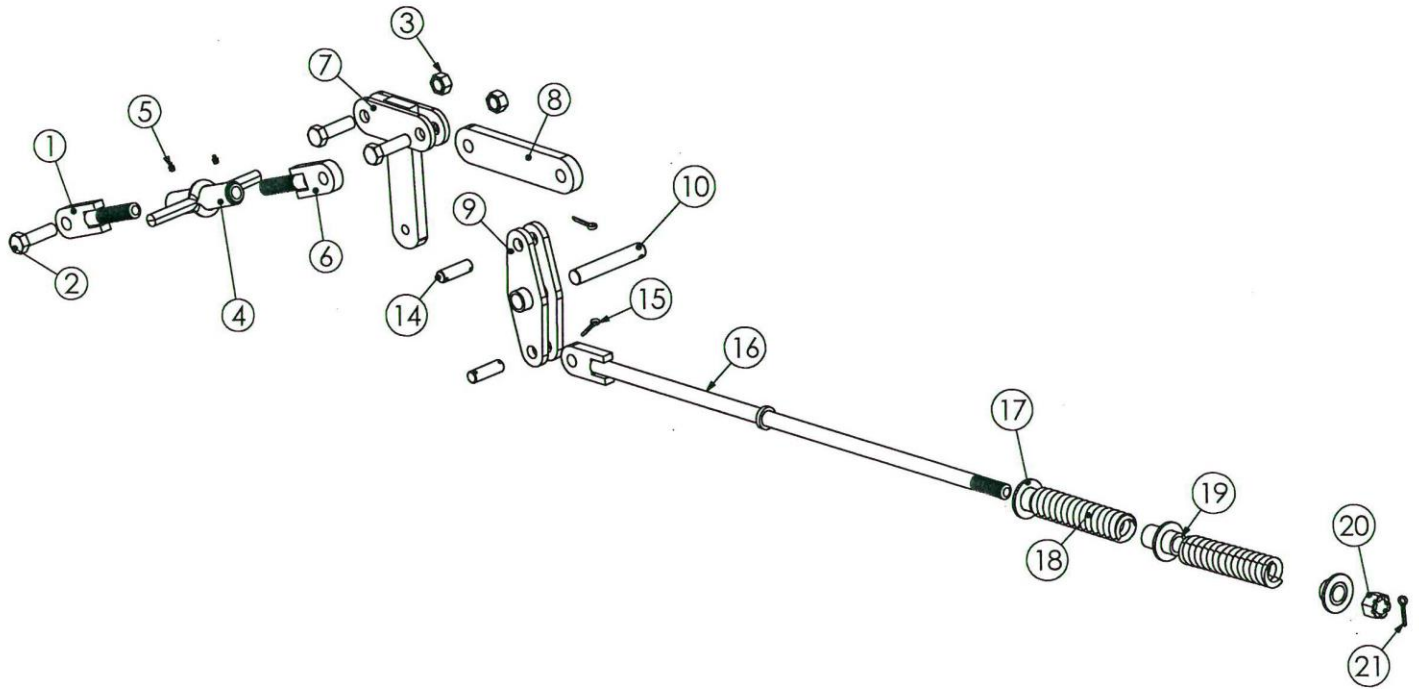
Visit our website @ www.domries.com





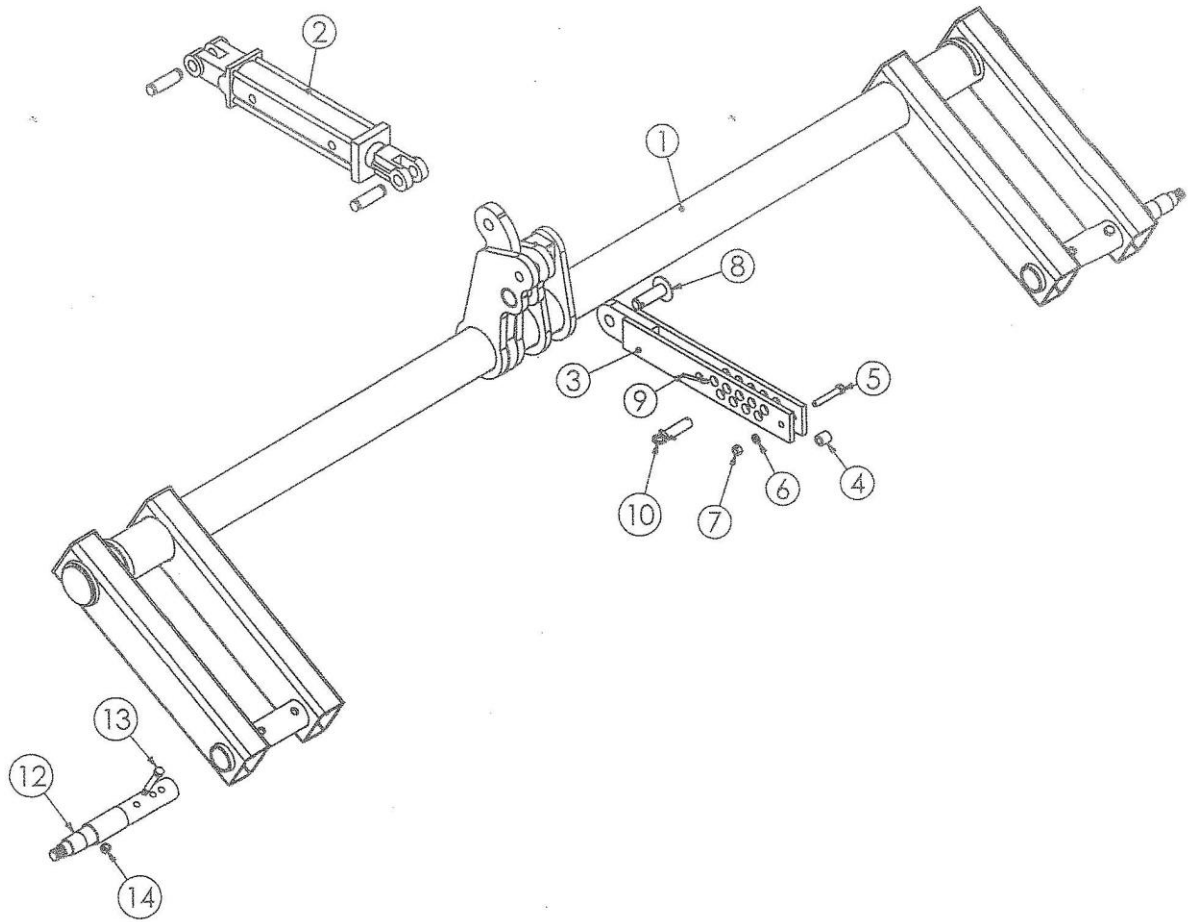
DRAW BAR, HITCH

REF #	PART #	DESCRIPTION	APPROX. WT.
1	OH-130	DRAW BAR, HITCH	95.0
2	VL-HJ	HITCH JACK	N/A
3	OH-138B	HOLDER - HITCH JACK	1.9
4	CS12512-5	BOLT - 1/2" NC. X 5 1/2" LG. GR. 5	N/A
5	LW12	LOCK WASHER - 1/2"	N/A
6	N12	NUT - 1/2"	N/A
7	OH-136	HOSE GUIDE	4.2
8	OH-135	TONGUE - SINGLE UP	19.0
9	OH-134	TONGUE - CLEVIS	18.3
10	OH-133	PIN - TONGUE	3.1
11	FW114	FLAT WASHER	0.2
12	CP516212	COTTER PIN - 5/16" X 2 1/2" LG.	0.1
13	OH-131	PIN - HITCH	2.5
14	CP14134	COTTER PIN - 1/4" X 1 3/4" LG.	0.1



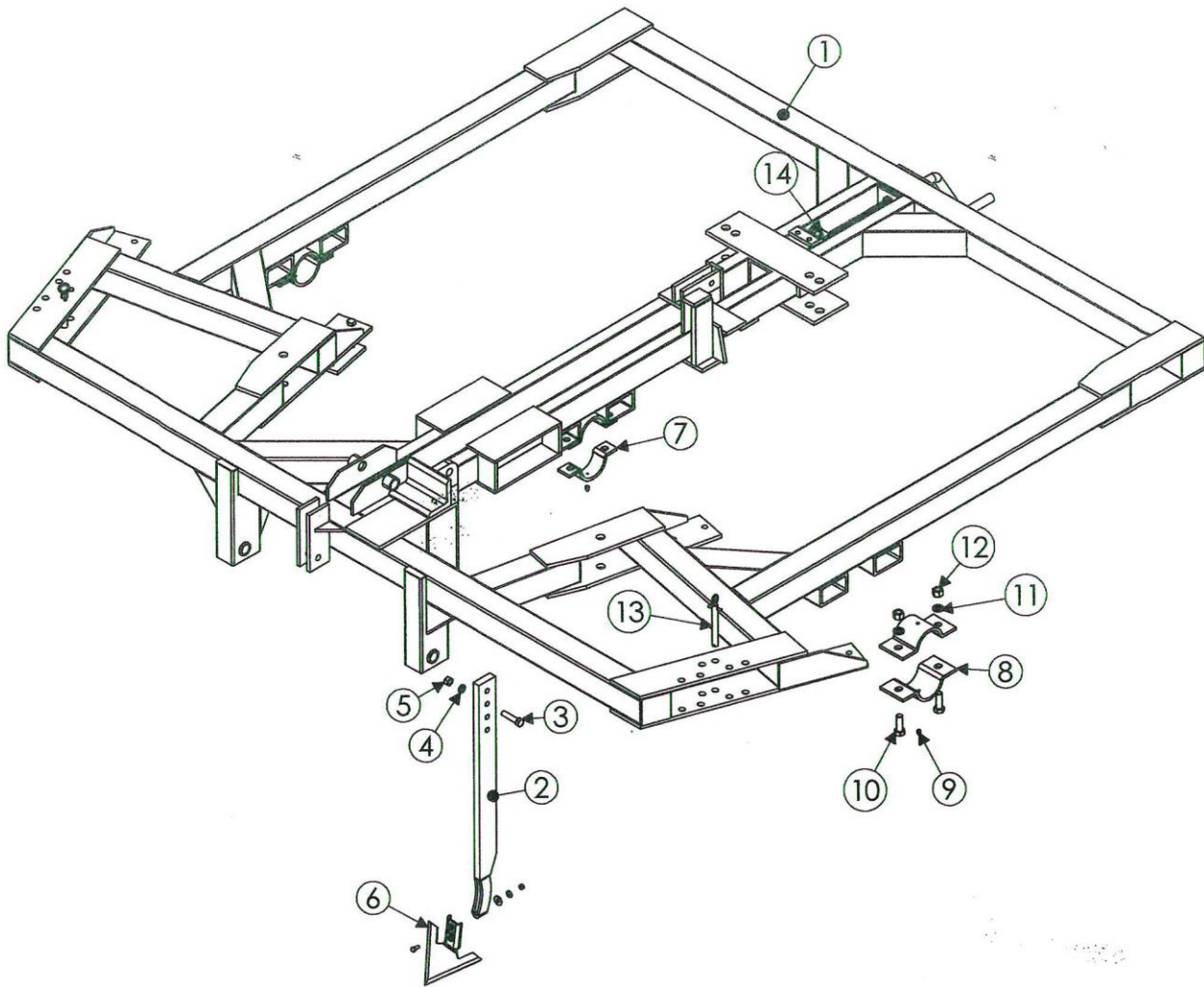
LEVELING ASSEMBLY

REF #	PART #	DESCRIPTION	APPROX. WT.
1	OH-140	ROD - TURNBUCKLE L.H.	4.2
2	CS1312-5	BOLT - 1' NC. X 3 1/2" LG. GR. 5	0.8
3	LN1	LOCK NUT - 1"	0.2
4	OH-142	BODY - TURNBUCKLE	5.6
5	1641	GREASE ZERK	0.1
6	OH-143	ROD - TURNBUCKLE R.H.	4.2
7	OH-144	HAMMER - LEVELING	17.2
8	OH-146	LINK	11.0
9	OH-147	ROCKER WELDMENT (SWIVEL)	13.9
10	OH-145	PIN - ROCKER	0.7
11	CS38214-5	BOLT - 3/8" X 2 1/4" LG. GR. 5	0.1
12	LW38	LOCK WASHER - 3/8"	0.1
13	N38	NUT - 3/8"	0.1
14	OH-148	PIN - CROSS	2.5
15	CP-142	COTTER PIN - 1/4" X 2" LG.	0.1
16	OH-149	LEVELING ROD	19.0
17	OH-152	SPRING GUIDE - SINGLE	0.7
18	OH-150	SPRING	5.8
19	OH-151	SPRING GUIDE - DOUBLE	1.2
20	SN114	SLOTTED NUT - 1 1/4"	0.5
21	CP14212	COTTER PIN - 1/4" X 2 1/2" LG.	0.1



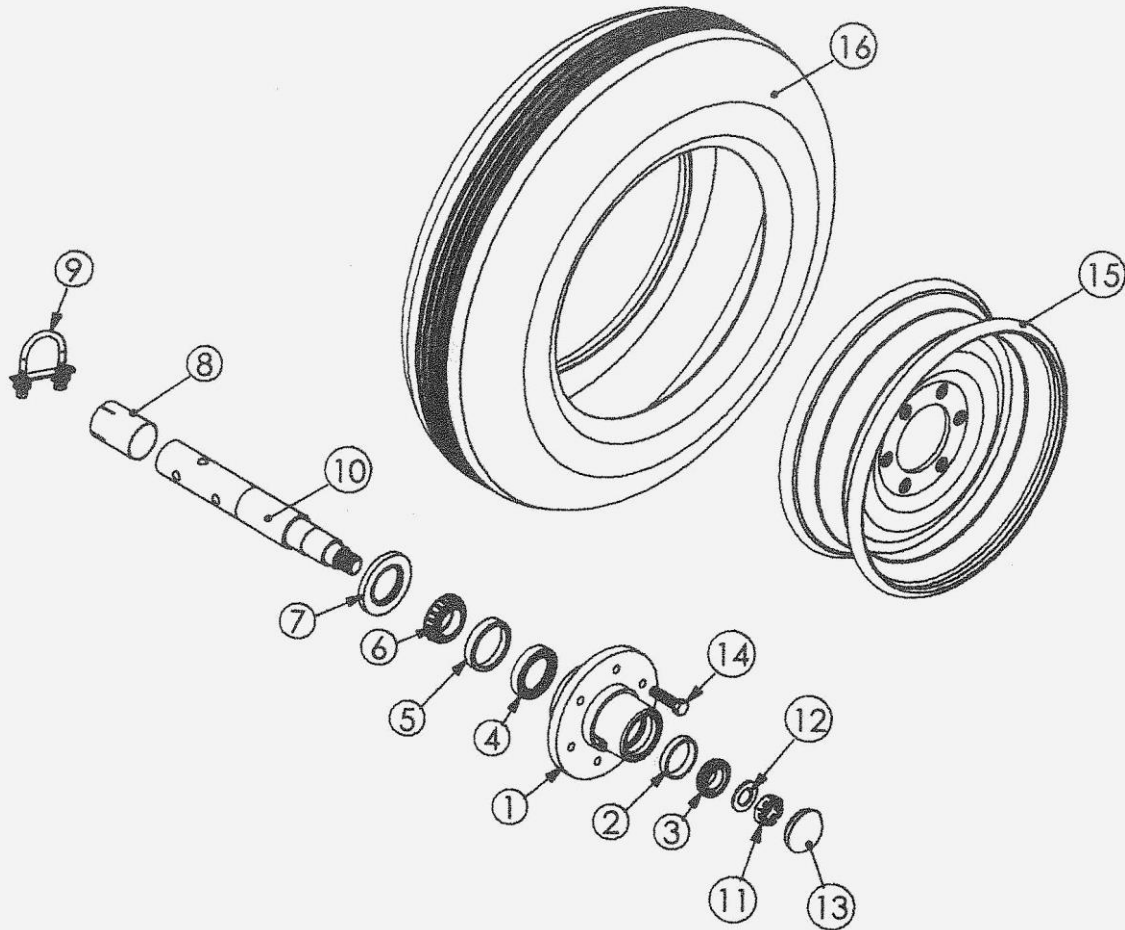
AXLE ASSEMBLY

REF #	PART #	DESCRIPTION	APPROX. WT.
1	OL-115	AXLE-WELD-OTL	248.0
2	OH-172	HYD. CYLINDER - 3 1/2" DIA. X 12" STRK. (W/PINS)	30.0
3	OH-125	SET BAR-DEPTH	20.0
4	OH-125A	BUSHING SPACER , SET BAR	0.2
5	CS12234-5	BOLT - 1/2" NC. X 2 3/4" GR. 5	0.1
6	LW12	LOCK WASHER - 1/2"	N/A
7	N12	NUT - 1/2"	0.3
8	OH-128	PIN - DEPTH ADJ.	0.1
9	HP6	COTTER - HAIR PIN	0.1
10	OH-126	PIN - SET BAR	0.6
11	CP14212	COTTER PIN - 1/4" X 2 1/2" LG.	0.1
12	DSH-312-S	SPINDLE SLIP IN	N/A
13	CS12312-5	BOLT - 1/2" NC. X 3 1/2" LG. GR. 5	N/A
14	LN12	LOCK NUT - 1/2"	N/A



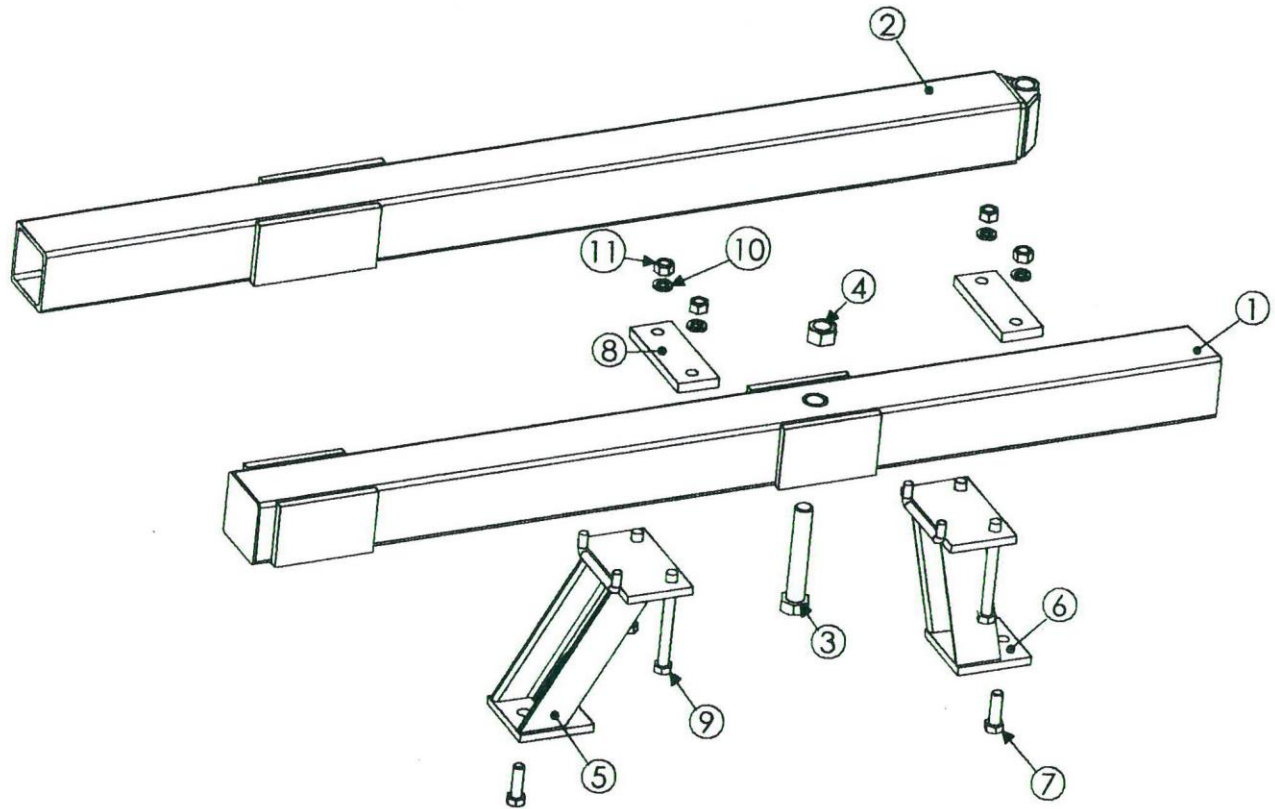
OTH - MAIN FRAME

REF #	PART #	DESCRIPTION	APPROX. WT.
1	OH-100	MAIN FRAME - OTH	1,160.0
2	OH-110	CENTER - SHANK (1" X 3" X 35" LG.)	23.0
3	CS58234-5	BOLT - 5/8" NC. X 2 3/4" LG. GR. 5	N/A
4	LW58	LOCK WASHER - 5/8"	N/A
5	N58	NUT - 5/8"	N/A
6	SWP-8	SWEEP - 8" (OH-112)	1.7
7	OH-116	AXLE CLAMP - INNER	2.3
8	OH-117	AXLE CLAMP - OUTER	4.3
9	ON-1613-B	GREASE ZERK	N/A
10	CS34214-5	BOLT - 3/4" NC. X 2 1/4" LG. GR. 5	N/A
11	LW34	LOCK WASHER - 3/4"	N/A
12	N34	NUT - 3/4"	N/A
13	OH-154	PIN - ANGLE SET	0.9
14	1641	GREASE ZERK	0.1



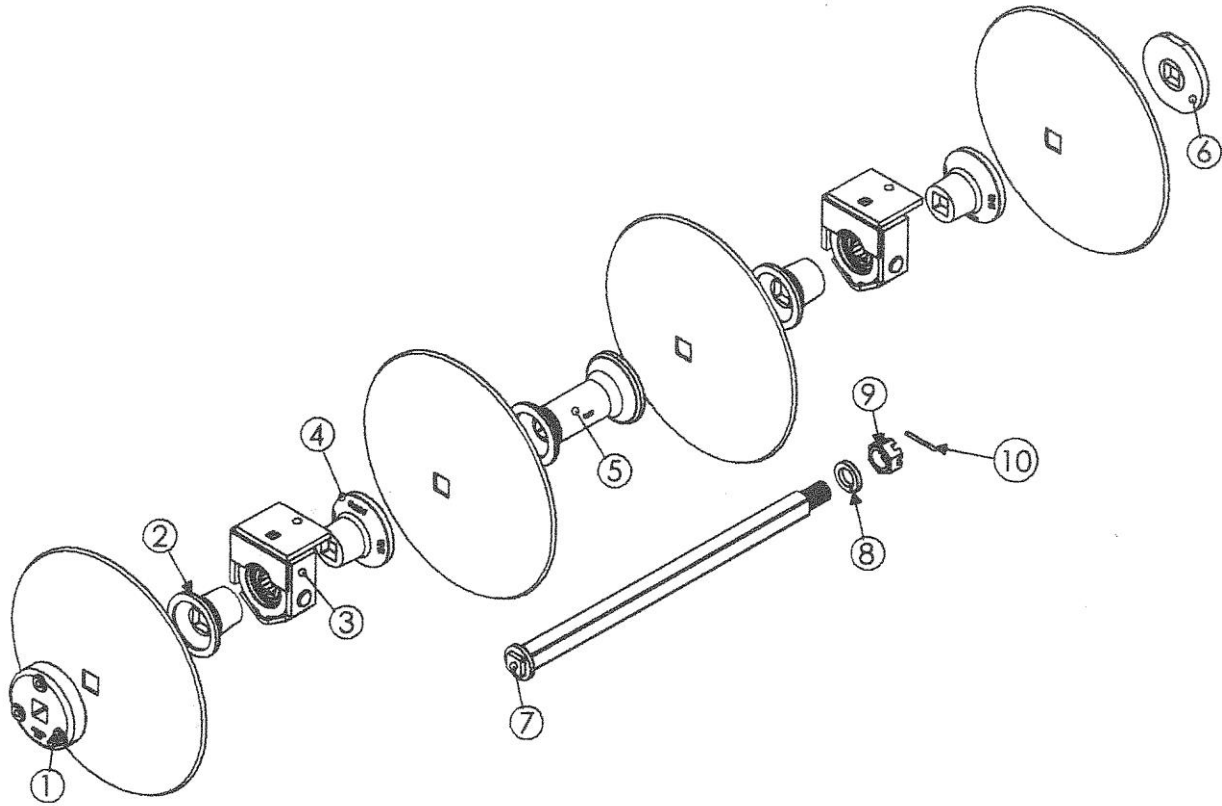
SPINDLE ASSEMBLY

REF #	PART #	DESCRIPTION	APPROX. WT.
1	DSH-302	HUB	10.0
2	DSH-303	BEARING CUP, OUTER	0.1
3	DSH-304	BEARING CONE, OUTER	0.3
4	DSH-307	INNER SEAL	0.1
5	DSH-306	BEARING CUP, INNER	0.2
6	DSH-306	BEARING CONE, INNER	0.4
7	DSH-308	OUTER SEAL	0.1
8	DSH-309	TUBING SLEEVE	0.3
9	DSH-310	CLAMP ASSY.	0.3
10	DSH-312-S	SLIP IN SPINDLE	9.0
11	DSH-313	SLOTTED NUT	0.1
12	DSH-314	SPINDLE WASHER	0.01
13	DSH-316	DUST CAP	0.2
14	DSH-318	LUG BOLT - (1/2" NF X 1" LG.)	0.1
15	JJ-19	WHEEL - 15 X 6, 6 (1/2")	23.0
16	JJ-20	TIRE - 7.60-15, RIB 6 PLY	24.0



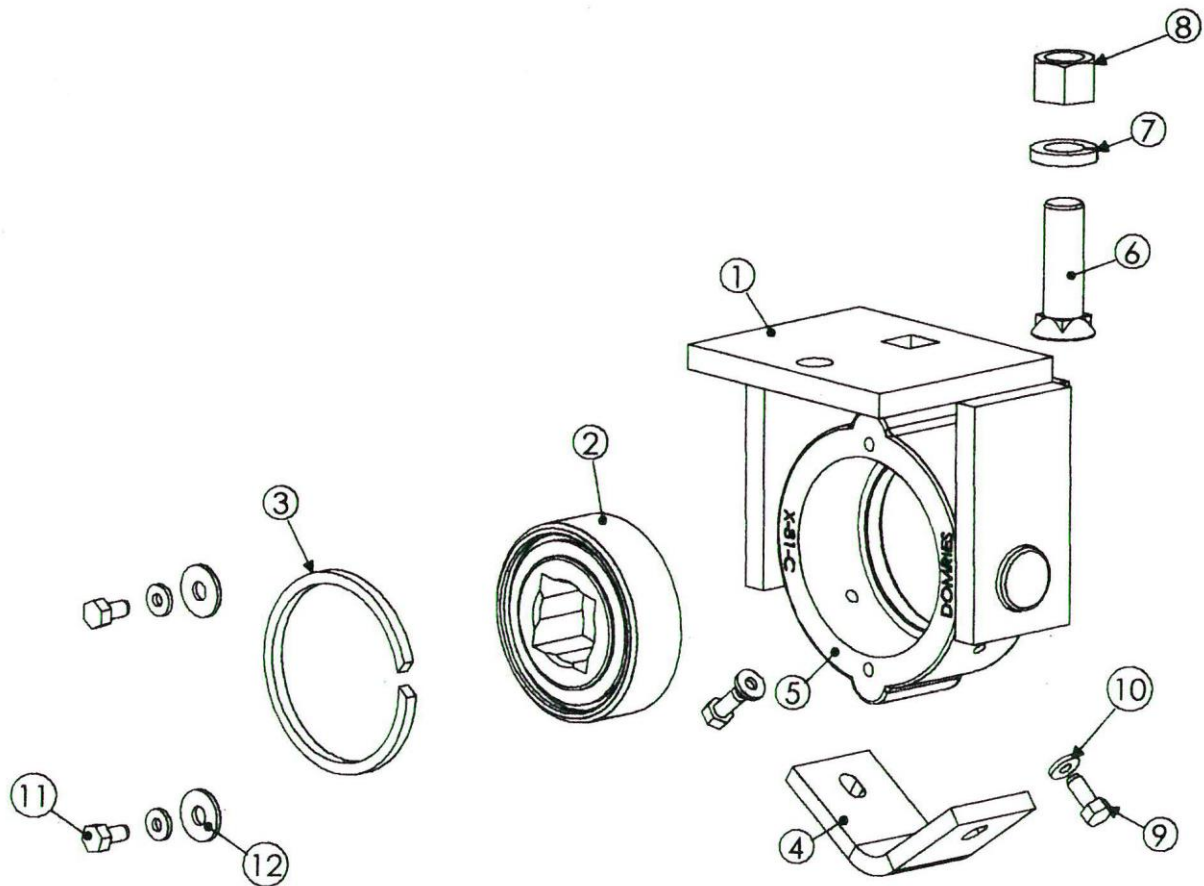
GANG FRAMES

REF #	PART #	DESCRIPTION	APPROX. WT.
1	OH-157	FRONT TUBE L & R, 7 BLADE	N/A
	OH-161	FRONT TUBE L & R, 8 BLADE	N/A
	OH-162	FRONT TUBE L & R, 9 BLADE	N/A
	OH-163	FRONT TUBE L & R, 10 BLADE	N/A
	OH-159	FRONT TUBE L & R, 11 BLADE	N/A
2	OH-158	REAR TUBE L & R, 7 BLADE	N/A
	OH-165	REAR TUBE L & R, 8 BLADE	N/A
	OH-166	REAR TUBE L & R, 9 BLADE	N/A
	OH-170	REAR TUBE L & R, 10 BLADE	N/A
	OH-173	REAR TUBE L & R, 11 BLADE	N/A
3	CS1612-5	BOLT - 1" NC. X 6" LG. GR. 5	N/A
4	LN1	LOCK NUT - 1"	N/A
5	OH-155	RISER - BRG. MTG. OUTSIDE	17.7
6	OH-156	RISER - BRG. MTG. INSIDE	17.6
7	CS582-5	BOLT - 5/8" NC. X 2" LG. GR. 5	N/A
8	OH-160	CLAMP - RISER	N/A
9	CS586-5	BOLT - 5/8" NC. X 6" LG. GR. 5	N/A
10	LW58	LOCK WASHER - 5/8"	N/A
11	N58	NUT - 5/8"	N/A



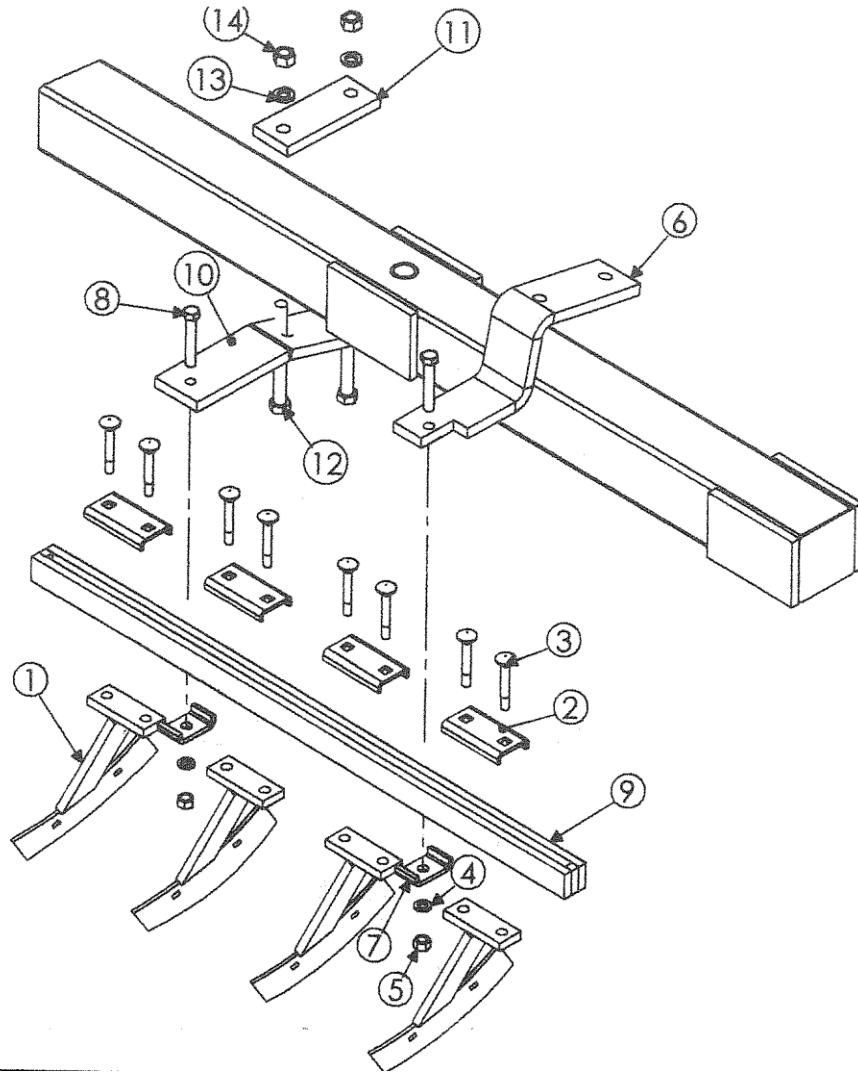
GANG ASSEMBLY

REF #	PART #	DESCRIPTION	APPROX. WT.
1	JXE-19	EXT. WASHER - CCV, 1 1/2" (OUTSIDE OF BLADE)	8.0
	JXE-18	EXT. WASHER - CVX, 1 1/2" (INSIDE OF BLADE)	9.0
2	XJ-84	HALF SPOOL - CVX, 1 1/2" SQ.	5.7
3	X-80-A-KIT	BEARING ASSY. - COMPLETE	17.3
4	XJ-83	HALF SPOOL - CCV, 1 1/2" SQ.	6.5
5	X-90	SPACER SPOOL - 1 1/2" SQ. 9" SPACING	12.0
6	X-91-S	END WASHER - CCV, 1 1/2" SQ.	9.0
	X92-S	END WASHER - CVX, 1 1/2" SQ.	9.0
	X-98	END WASHER - 1 1/2" SQ., STEEL (UNIVERSAL)	5.0
7	XGR-4	GANG ROD - 1 1/2" SQ., 4 BLADE	20.0
	XGR-5	GANG ROD - 1 1/2" SQ., 5 BLADE	26.0
	XGR-6	GANG ROD - 1 1/2" SQ., 6 BLADE	32.0
	XGR-7	GANG ROD - 1 1/2" SQ., 7 BLADE	38.0
	XGR-8	GANG ROD - 1 1/2" SQ., 8 BLADE	44.0
8	LW112	LOCK WASHER - 1 1/2"	0.1
9	SN112	SLOTTED NUT - 1 1/2"	0.8
10	CP14212	COTTER PIN - 1/4" X 2 1/2" LG.	01.



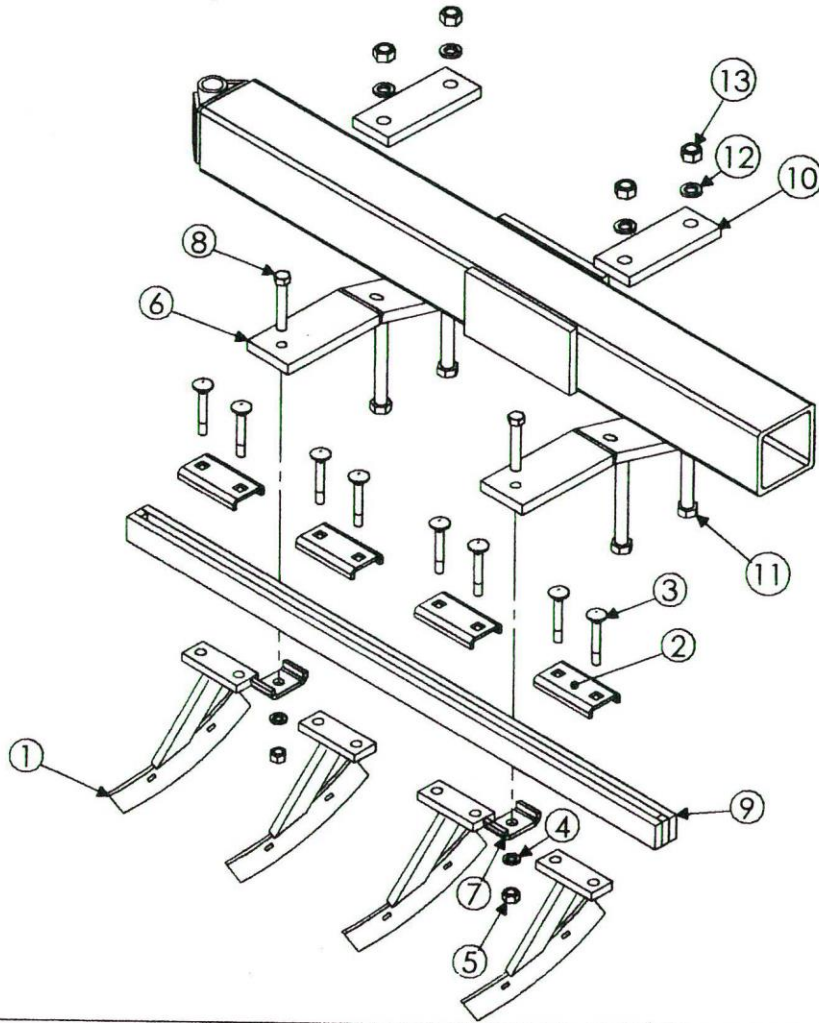
X-80-A-KIT

REF #	PART #	DESCRIPTION	APPROX. WT.
1	X-81	BEARING HOUSING WELDMENT	12.0
2	X-85	BEARING 1 1/2" SQ.	2.0
3	X-86	STOP RING	0.2
4	K-88	WEAR PLATE	2.0
5	X-81-C	BEARING HOUSING CASTING ONLY	5.8
6	PB34214-8	PLOW BOLT - 3/4" NC. X 2 1/4" LG. GR. 8	N/A
7	LW34	LOCK WASHER - 3/4"	N/A
8	N34	NUT - 3/4"	N/A
9	CS51634-5	BOLT - 5/16" NC. X 3/4" LG. GR. 5	N/A
10	FW14	FLAT WASHER - 1/4"	N/A
11	CS51658-5	BOLT - 5/16" NC. X 5/8" LG. GR. 5	N/A
12	FW38	FLAT WASHER - 1/4"	N/A



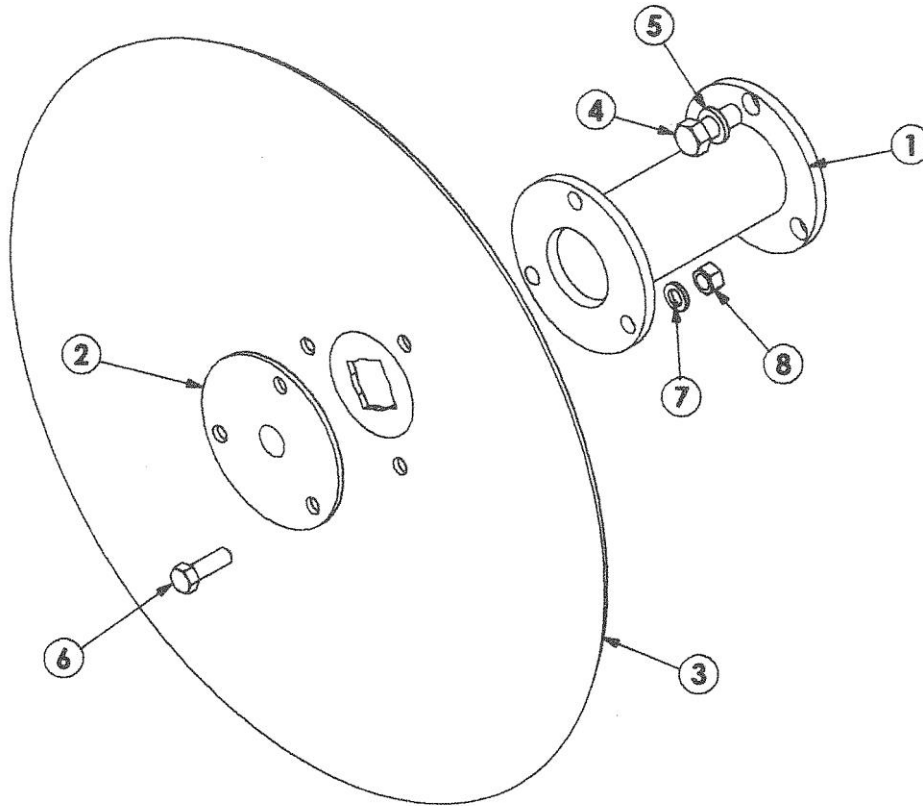
OTH-FRONT CLEANER SET

REF #	PART #	DESCRIPTION	APPROX. WT.
1	OHCP-25	CLEANER ARM L. FRONT OR R. REAR	N/A
	OHCP-26	CLEANER ARM R. FRONT OR L. REAR	N/A
2	WOC-110	CLAMP CLEANER ARM	N/A
3	CB123-5	CARRIAGE BOLT - 1/2" NC. X 3" LG. GR. 5	N/A
4	LW12	LOCK WASHER - 1/2"	N/A
5	N12	NUT - 1/2"	N/A
6	VHC-61-R	BRACKET CLEANER BAR RIGHT	N/A
	VHC-61-L	BRACKET CLEANER BAR LEFT	N/A
7	JCP28	CLIP	N/A
8	CS123-5	BOLT - 1/2" X 3" LG. GR. 5	N/A
9	OHCP-70	CLEANER BAR - 7 BLD. FRONT	N/A
	OHCP-78	CLEANER BAR - 8 BLD FRONT/ 7 BLD. REAR	N/A
	OHCP-89	CLEANER BAR - 9 BLD FRONT/ 8 BLD. REAR	N/A
	OHCP-90	CLEANER BAR - 10 BLD FRONT/ 9 BLD. REAR	N/A
	OHCP-101	CLEANER BAR - 11 BLD FRONT/ 10 BLD. REAR	N/A
10	OHCP-300	BRACKET BAR SUPPORT (6 PER. DISC)	N/A
11	OH-160	CLAMP	N/A
12	CS586-5	BOLT - 5/8" X 6" LG. GR. 5	N/A
13	LW58	LOCK WASHER - 5/8"	N/A
14	N58	NUT - 5/8"	N/A



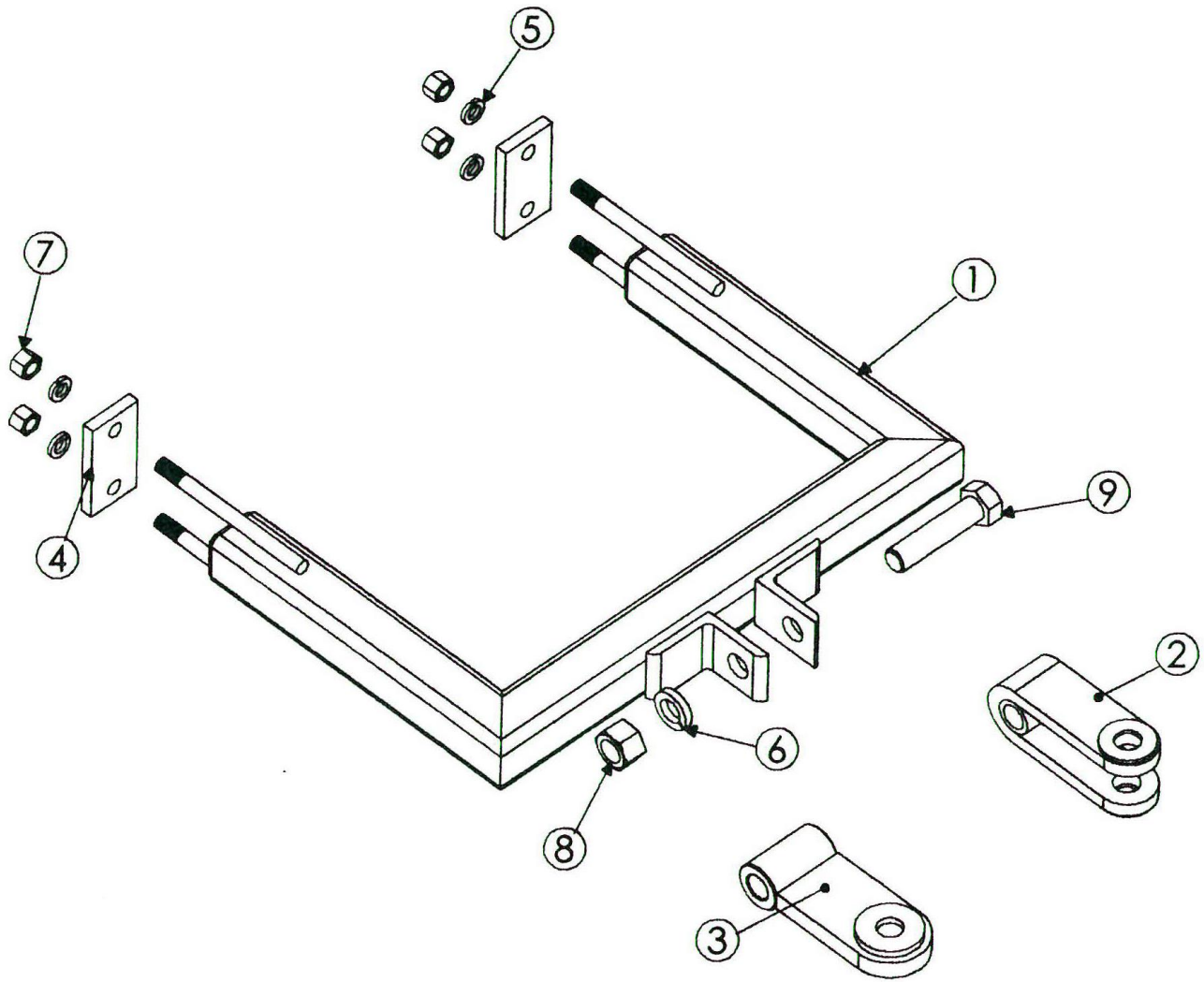
OTH-REAR CLEANER SET

REF #	PART #	DESCRIPTION	APPROX. WT.
1	OHCP-25	CLEANER ARM - LEFT FRONT OR RIGHT REAR	N/A
	OHCP-26	CLEANER ARM - RIGHT FRONT OR LEFT REAR	N/A
2	WOC-110	CLAMP - CLEANER ARM	N/A
3	CB123-5	CARRIAGE BOLT - 1/2" NC. X 3" LG. GR. 5	N/A
4	LW12	LOCK WASHER - 1/2"	N/A
5	N12	NUT - 1/2"	N/A
6	OHCP-300	BRACKET - BAR SUPPORT	N/A
7	JCP28	CLIP	N/A
8	CS123-5	BOLT - 1/2" NC. X 3" LG. GR. 5	N/A
9	OHCP-78	CLEANER - 7 BLD. REAR	N/A
	OHCP-89	CLEANER - 8 BLD. REAR	N/A
	OHCP-90	CLEANER - 9 BLD. REAR	N/A
	OHCP-101	CLEANER - 10 BLD. REAR	N/A
	OHCP-110	CLEANER - 11 BLD. REAR	N/A
10	OH-160	CLAMP - CLEANER ARM	N/A
11	CS586-5	BOLT - 5/8" NC. X 6" LG. GR. 5	N/A
12	LW58	LOCK WASHER - 5/8"	N/A
13	N58	NUT - 5/8"	N/A



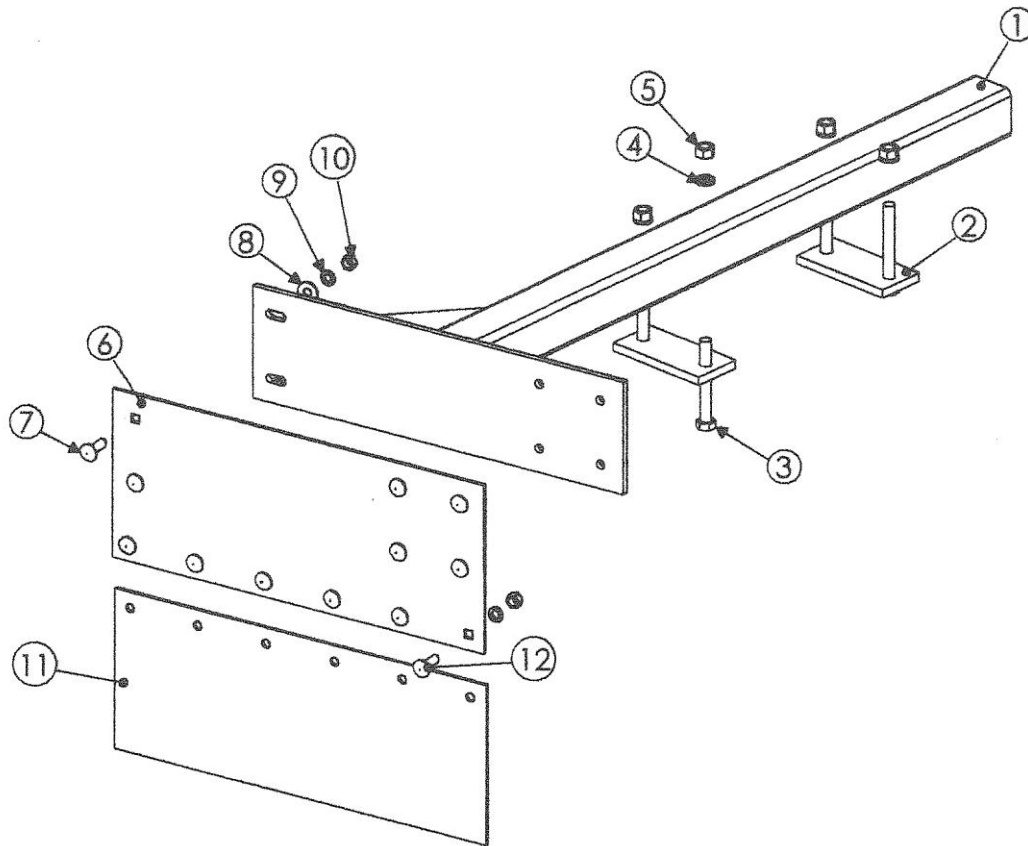
EXTENSION SPOOL ASSEMBLY

REF #	PART #	DESCRIPTION	APPROX. WT.
1	JXE-16	EXT. SPOOL - (BLADE THROWS OUT) 9"	12.0
	JXE-17	EXT. SPOOL - (BLADE PULL IN) 9"	2.0
2	JXE-20	END CAP - UNIVERSAL	0.2
3	DISC BLADE	BLADE SIZE ON DISC	2.0
4	CS58134-5	BOLT - 5/8" NC. X 1 3/4" LG. GR. 5	5.8
5	LW58	LOCK WASHER - 5/8"	N/A
6	CS12112-5	BOLT - 1/2" NC. X 1 1/2" LG. GR. 5	N/A
7	LW12	LOCK WASHER - 1/4"	N/A
8	N12	NUT - 1/2"	N/A



UTILITY HITCH

REF #	PART #	DESCRIPTION	APPROX. WT.
1	OH-UH	UTILITY HITCH SINGLE EAR TYPE	N/A
2	OH-134	CLEVIS TONGUE	N/A
3	OH-135	SINGLE LIP TONGUE	N/A
4	CLAMP PLATES	COMES WITH UTILITY HITCH	N/A
5	LW34	LOCK WASHER - 3/4"	N/A
6	LW114	LOCK WASHER - 1 1/4"	N/A
7	N34	NUT - 3/4"	N/A
8	N114	NUT - 1 1/4"	N/A
9	CS1146-5	BOLT - 1 1/4" NC. X 6" LG. GR. 5	N/A



OTH - DIRT SHIELD

REF #	PART #	DESCRIPTION	APPROX. WT.
1	OH-DS-L	EXT. ARM (ASK BY SIZE OF GANGS) LEFT SIDE	N/A
	OH-DS-R	EXT. ARM (ASK BY SIZE OF GANGS) RIGHT SIDE	N/A
2	OH-DS-C	PLATE - CLAMP, DIRT SHIELD	N/A
3	CS585-5	BOLT - 5/8" NC. X 5" LG. GR. 5	N/A
4	LW58	LOCK WASHER - 5/8"	N/A
5	N58	NUT - 5/8"	N/A
6	OH-DS	DIRT SHIELD	N/A
7	CB12114-5	CARRIAGE BOLT - 1/2" NC. X 1 1/4" LG. GR. 5	N/A
8	FW12	FLAT WASHER - 1/2"	N/A
9	LW12	LOCK WASHER - 1/2"	N/A
10	N12	NUT - 1/2"	N/A
11	OH-DS-B	RUBBER BELT - DIRT SHIELDS	N/A
12	CB12112-5	CARRIAGE BOLT - 1/2" NC. X 1 1/2" LG. GR. 5	N/A



DOMRIES ENTERPRISES, INC.
12281 Road 29, Madera CA 93638 • (P) 559-673-9143 • (F) 559-673-4110

WARRANTY

Under this warranty Domries' obligation shall be limited to repairing or replacing, free of charge to the original purchaser, any defective part. Each part is subject to our assessment, and must show evidence of a manufacturing defect.

Product will be returned to Domries, routed through the dealer from whom the purchase was made. The cost of the repair or replacement shall not be higher than the purchase price of the product, excluding tax, shipping, and installation charges.

A claim for warranty must be made with a Domries Warranty Form with a work order number.

An authorized work order number is **REQUIRED** prior to any field/repair work to be done by Domries.

RETURN GOODS

Domries reserves the right of requiring the prepaid return of any parts claimed to be defective. However, **NO** parts shall be returned **without** Domries warranty form with a work order number. Goods shall be returned to such location as shall be designated by Domries.

Domries will at its discretion, either repair, replace, or freight outbound product from Domries factory. Domries will inspect all parts for defectiveness in materials and/or workmanship. Wear and tear that is determined to be defective, are subject to an adjustment based upon useful life.

REPAIR

Domries will not accept any charges other than its direct Dealer shop labor costs and parts required to repair such parts and/or workmanship at the Dealers place of business. The **WARRANTY** specifically excludes any charges for delivery, transportation, and/or shipping costs.

If the dealer is requested by the customer to travel or haul the machine to its shop or repair shop for the purpose of performing a warranty obligation or free inspection, it would be for the customer's convenience, and the cost of such a trip is to be paid by the customer. Any arrangement whereby the Dealer agrees to absorb all or a part of the cost is to be made **SOLELY** between the Dealer and the Customer (to be considered a courtesy to the customer by their Dealer).

LIMITED WARRANTY

Outside purchased equipment and accessories (not of Domries manufacture) are warranted only to the extent of the original manufacturer's warranty to Domries. Examples of limited items include, Hydraulic cylinders and hoses, Bearings, Disc Blades, Wheels, Tires, Tubes, and Seals.

NO WARRANTY

1. New product that has been subjected to operation in excess of recommended capacities, misused, negligence, lack of maintenance, an accident or have been ***altered/repared in any manner not authorized by Domries.***
2. Sharp turns while machine/cutting parts are in the ground void warranty, with the exception of a drag disc.

Domries shall in no event be responsible for any delay or any other consequential or indirect damage in connection with fulfilling any obligation under this WARRANTY.

Domries reserves the right to make change at any time in designs, materials and/or specifications of its product without becoming liable or obligated in any way to make similar changes in previously manufactured products.

This ***WARRANTY IS IN LIEU OF ALL OTHER WARRANTIES COVERING DOMRIES PRODUCTS*** and no other warranties expressed or implied are made or authorized by Domries Enterprises, Inc.

DEALER/SALESMAN: _____ **DATE:** _____

DOMRIES REP.: _____ **DATE:** _____