

H.L.O. SERIES

PARTS
AND
OPERATER
MANUAL

OFFSET
DISC
HARROWS
HEAVY
DUTY

Domries Enterprises, Inc

12281 Rd 29

Madera, California 93638

Phone (559) 673-9143 Fax (559) 673-4110

Visit our Web-Site at www.domriesentinc.com

IMPORTANT! PLEASE READ!

TO OUR CUSTOMER – USER’S RESPONSIBILITY- WARRANTY

TO OUR CUSTOMER

The following pages and illustrations are printed to help supply you with the knowledge to better operate and service your new DOMRIES equipment.

We are proud to have you as a customer and feel you will be proud to be a DOMRIES owner.

Any piece of equipment needs and must have a certain amount of service and maintenance to keep it in top running condition. We have attempted to cover all the adjustments required to fit most conditions; however, there may be times special care must be taken to fit a condition.

Study this operator’s manual carefully and become acquainted with all the adjustments and operating procedures before attempting to operate your new equipment. Remember, it is a machine and has been designed and tested to do an efficient job in most operating conditions and will perform in relation to the service it receives.

If special attention is required for some conditions, ask your DOMRIES dealer; his Parts and Service Organization will be glad to help and answer any question on operation and service of your new machine.

ATTENTION! BECOME ALERT!

YOUR SAFETY IS INVOLVED

This symbol is used to call your attention to safety precautions that should be followed by the operator to avoid accidents. When you see this symbol – Heed Its Warning.

USER’S RESPONSIBILITY

It is the responsibility of the user to read the Operator’s Manual and understand the safe and correct operating procedures as pertains to the operation of the product, and to lubricate and maintain the product according to the maintenance schedule in the Operator’s Manual.

The user is responsible for inspecting his machine and for having parts repaired or replaced when continued use of the product would cause damage or excessive wear to the other parts. It is the user’s responsibility to deliver his machine to a DOMRIES dealer, for service or replacement of defective parts which are covered by the standard warranty. When requesting warranty service, you present your copy of delivery record.

MODEL# _____

SERIAL# _____



ATTENTION! BECOME ALERT!

YOUR SAFETY IS INVOLVED!

This Symbol is used to call your attention to safety precautions. That should be followed by the operator to avoid accidents. When you see this – Heed Its Warning.

Many hours of lost time and much suffering is caused by the failure to practice simple safety rules.

1. **READ** this manual carefully to acquaint your – self with the Disk Harrow. Opening unfamiliar equipment can cause accidents.
2. **Lower Implement** if possible, when adjusting maintenance work; otherwise **BLOCKS IT SECURELY** at a workable height.
3. **When Implement** and tractor is parked always lower disk to the ground and place a **FLAG OR OTHER WARNING DEVICE** on each corner as someone could run or bump into the implement.
4. Implement should be **DETACHED ONLY** in an area where Children **DO NOT PLAY**.
5. **DO NOT** wear loose fitting clothing that could catch on various parts.
6. Machinery should be **OPERATED ONLY** by those who are **RESPONSIBLE AND DELEGATED** to do so.
7. **ONLY ONE PERSON** – the operator – should be permitted on the tractor when implement is in operation, he should be thoroughly familiar with tractor and implement.
8. **MAKE CERTAIN** that everyone is clear before starting tractor and implement combination.
9. **BEFORE WORKING** under the any hydraulically controlled unit **MAKE SURE** it is **SECURELY BLOCKED**.
10. **The RATE OF SPEED** on hillsides or curves should be regulated so there is no danger of tipping.
11. **DO NOT** drive too close to the edge of a ditch or creek.
12. **REDUCE SPEED** when transporting unit to avoid bouncing and momentary loss of steer ability.
13. **MAKE CERTAIN** tractor is equipped with sufficient front-end weight to counter-balance the plow weight and maintain stability of front of tractor
14. **DO NOT** attempt to operate tractor and implement unless you are in the driver seat.
15. **ALWAYS** place transmission in **PARK or NEUTRAL, LOCK BRAKES, STOP ENGINE AND REMOVE START KEY** before dismounting from the tractor.
16. **NEVER** stand between tractor and disc when hitching.
17. **PROVIDE** a first aid kit. Treat all scratches, cuts, etc. with proper antiseptic immediately.
18. If **DECALS** become damaged or come off, they should be replaced immediately.
19. **REMEMBER** that safe operation is no accident.

ON HIGHWAY OPERATION

1. Use the **SLOW-MOVING** vehicle emblem in daytime and approved warning lights at night, or during other periods of poor visibility, to prevent highway accidents.
2. **COMPLY** with Local highway regulation concerning moving machinery on highways.
3. **MAINTAIN** complete control of machines at all times when traveling on the highway
4. Due to the width of implement, **USE EXTRA CAUTION** on highways, far lanes and when approaching gates

**HLO
SERIES**



**3 POINT
OFFSET DISC HARROW**



**4'6" TO 8'3"
WIDTHS**



DOMRIES ENTERPRISES, INC

12281 Road 29

Madera, California 93638

Office (559) 673-9143 Fax (559) 673-4110

Visit our website @ www.domries.com





HLO SPECIFICATIONS

MODEL NO.	WIDTH	NO. BLADES	BLADE SIZE	SPACING	CAT. HITCH	APPROX. WT. LBS
HLO-463	4'6"	12	22"	9"	#1	820
HLO-530	5'3"	14	22"	9"	#1	930
HLO-533	5'3"	14	24"	9"	#1	1000
HLO-600	6'0"	16	22"	9"	#1	1015
HLO-603	6'0"	16	24"	9"	#1	1095
HLO-690	6'9"	18	22"	9"	#2	1215
HLO-693	6'9"	18	24"	9"	#2	1290
HLO-760	7'6"	20	22"	9"	#2	1325
HLO-763	7'6"	20	24"	9"	#2	1408
HLO-830	8'3"	22	22"	9"	#2	1523
HLO-833	8'3"	22	24"	9"	#2	1615

CATEGORY #2 HITCH AVAILABLE

SEE PRICE SHEET FOR NOTCHED & SMOOTH COMBINATIONS

STANDARD FEATURES

- EXTRA HEAVY DUTY FRAME CONSTRUCTION
- HEAVY DUTY SEALED BALL BEARINGS
- OFFSET TO RIGHT OR LEFT
- NON SLIP "A" FRAME SETTINGS
- EASY REAR GANG ADJUSTMENT
- BOXED LIFT PIN FOR ADDED STRENGTH

OPTIONS

- BLADE CLEANERS
- TOW HITCH
- TREE GUARD
- ADD-A-BLADE EXTENSIONS

DOMRIES ENTERPRISES, INC

12281 Road 29

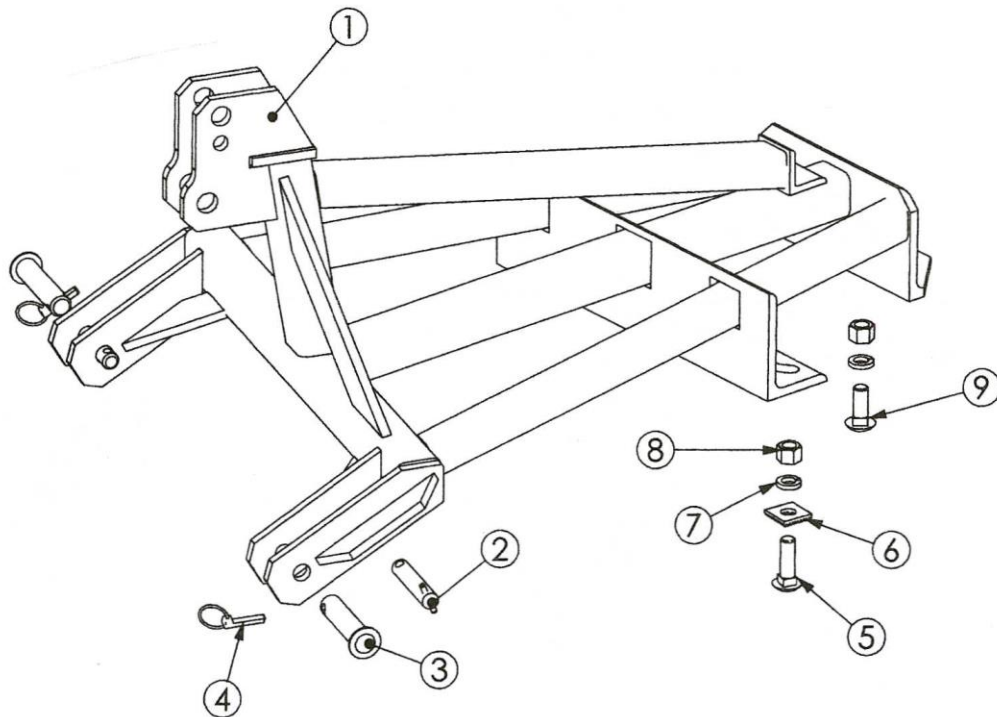
Madera, California 93638

Office (559) 673-9143 Fax (559) 673-4110

Visit our website @ www.domries.com

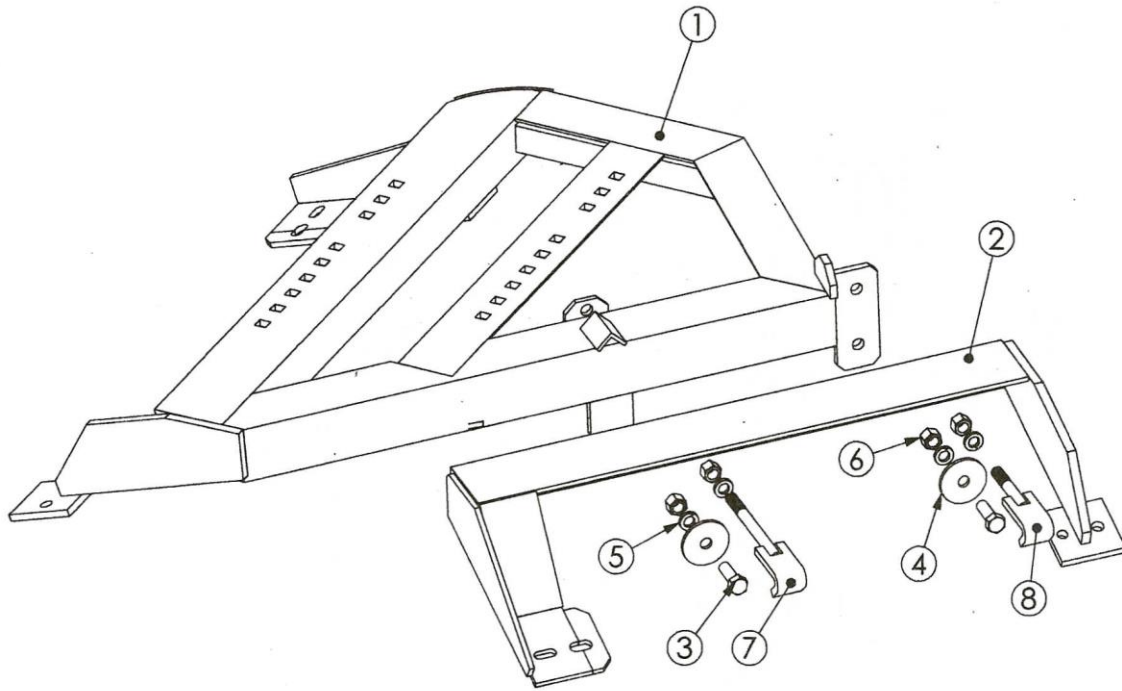


Domries reserves the right to make changes and/or improvements in design and construction of



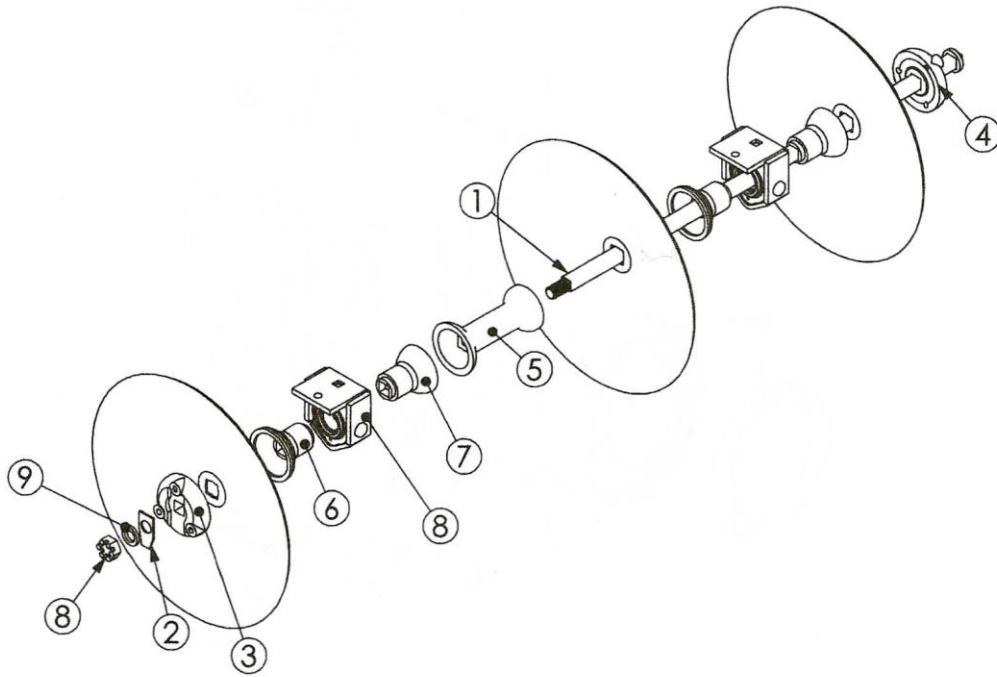
A - FRAME

REF #	PART #	DESCRIPTION	WT/LB.
1	LO-10	A FRAME CAT. I (4'6" TO 6'0")	125.0
	LO-11	A FRAME CAT. II (4'6" TO 6'0")	150.0
	LO-12	A FRAME CAT. III (6'9" TO 8'3")	167.0
2	BLD27	LIFT PIN - CAT. I (LO-32)	1.0
3	BLD28	LIFT PIN - CAT. II (LO-33)	1.5
4	BLD33	KLICK PIN - 7/16" DIA.	0.2
5	CB34212-5	CARRIAGE BOLT - 3/4" NC. X 2 1/2" LG. GR. 5	0.4
6	LO-36	GROOVED WASHER - A FRAME	1.0
7	LW34	LOCK WASHER - 3/4" NOM	0.1
8	N34	NUT - 3/4" NC. HEX	0.2
9	CB342-5	CARRIAGE BOLT - 3/4" NC. X 2" LG. GR. 5	N/A



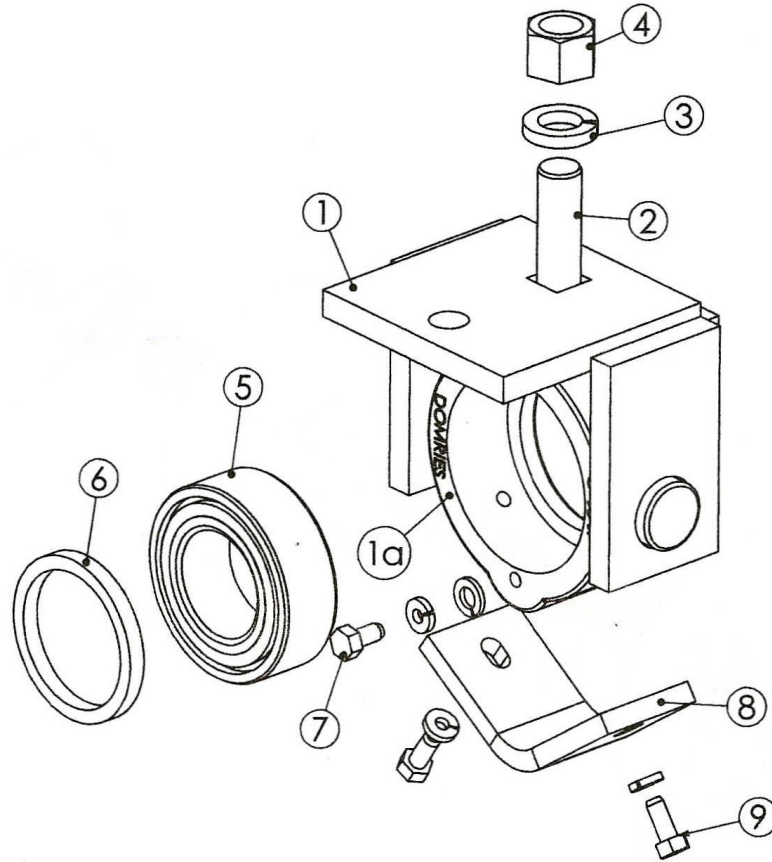
MAIN FRAME & REAR FRAME

REF #	PART #	DESCRIPTION	WT/LB.
1	LO-14	MAIN FRAME 4'6" (PICTURED)	182.0
		MAIN FRAME RANGE FROM 4'6" TO 8'3"	
2	LO-24	REAR GANG FRAME 4'6"	70.0
		REAR GANG FRAMES RANGE FROM 4'6" TO 8'3"	
3	CB34214	CARRIAGE BOLT - 3/4" NC. X 2 1/4" LG. GR. 5	0.4
4	LO-37	HOLD DOWN WASHER	0.3
5	LW34	LOCK WASHER - 3/4"	0.1
6	N34	NUT - 3/4" NC. HEX	0.2
7	LO-30	J' BOLT - LONG	1.0
8	LO-31	J' BOLT - SHORT	1.0



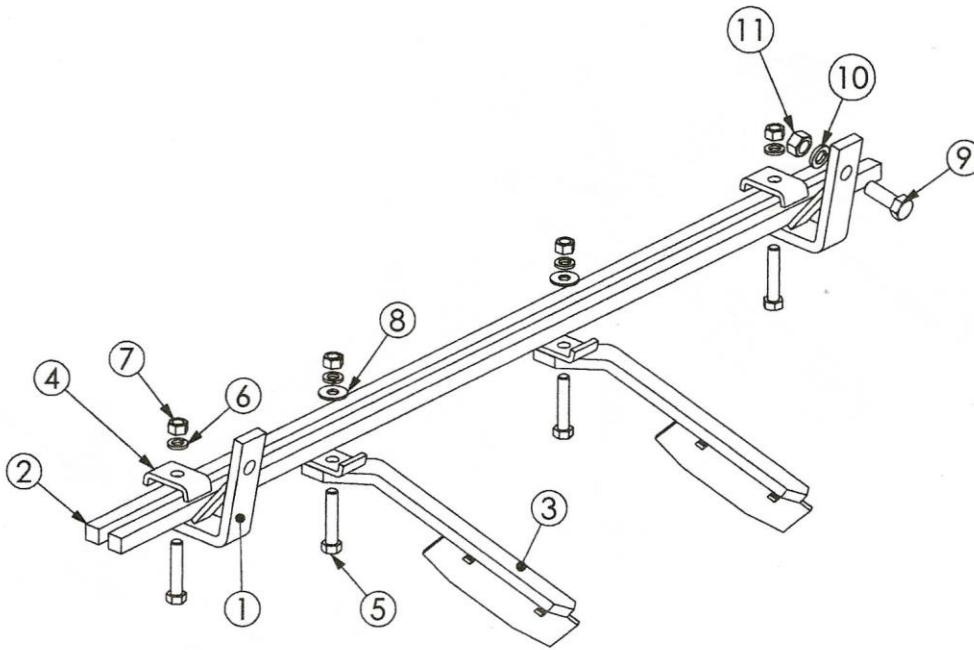
GANG ASSEMBLY

REF #	PART #	DESCRIPTION	WT/LB.
1	GR-5	GANG ROD 1 1/8" SQ. 5 BLADE	15.0
	GR-6L	GANG ROD 1 1/8" SQ. 6 BLADE	17.5
	GR-6	GANG ROD 1 1/8" SQ. 6 BLADE	17.5
	GR-7L	GANG ROD 1 1/8" SQ. 7 BLADE	21.0
	GR-8L	GANG ROD 1 1/8" SQ. 8 BLADE	24.0
	GR-9L	GANG ROD 1 1/8" SQ. 9 BLADE	28.0
	GR-10L	GANG ROD 1 1/8" SQ. 10 BLADE	32.0
	NOTE:	GR-5 & GR-6 FIT 8'3" HLO MODELS ONLY	
2	J41	LOCK CLIP	N/A
3	JDE-18	EXT. WASHER 1 1/8" SQ. CONCAVE	7.2
4	JDE-19	EXT. WASHER 1 1/8" SQ/ CONVEX	7.0
5	JTL80	FULL SPOOL 9" SPG.	10.0
6	K83	HALF SPOOL 1 1/8" SQ. CONCAVE	6.0
7	K82	HALF SPOOL 1 1/8" SQ. CONVEX	5.0
8	K-80-A-KIT	BEARING ASSEMBLY 1 1/8" SQ.	13.5
9	LW118	LOCK WASHER - 1 1/8"	N/A
10	SN118	SLOTTED NUT 1 1/8"	N/A
11	CP142	COTTER PIN 1/4" X 2" LG.	N/A



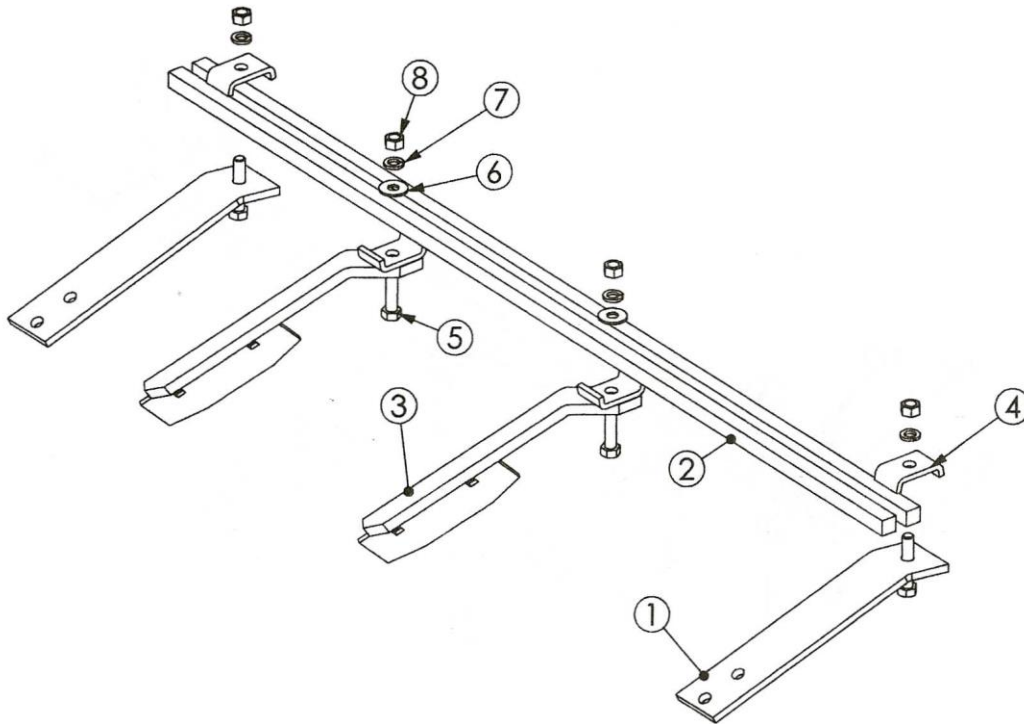
K-80-A-KIT

REF #	PART #	DESCRIPTION	WT/LB.
1	K-81	BRG. HOUSING WELDMENT	10.0
1a	K81C	HOUSING - GNG. BRG.	4.4
2	PB34214-8	PLOW BOLT - 3/4" NC. X 2 1/4" LG. GR. 8	0.1
3	LW34	LOCK WASHER - 3/4"	0.1
4	N34	NUT - 3/4"	0.2
5	K85	BEARING - SEALED, 1 1/8" SQ.	1.8
6	K86	RETAINING RING	0.2
7	CS51658-5	BOLT - 5/16" NC. X 5/8" LG. GR. 5	0.2
	LW14	LOCK WASHER - 1/4"	0.1
	LW38	LOCK WASHER - 3/8"	0.1
8	K88	WEAR PLATE	1.5
9	CS51634-5	BOLT - 5/16" NC. X 3/4" GR. 5	0.2
	LW14	LOCK WASHER - 1/4"	0.1



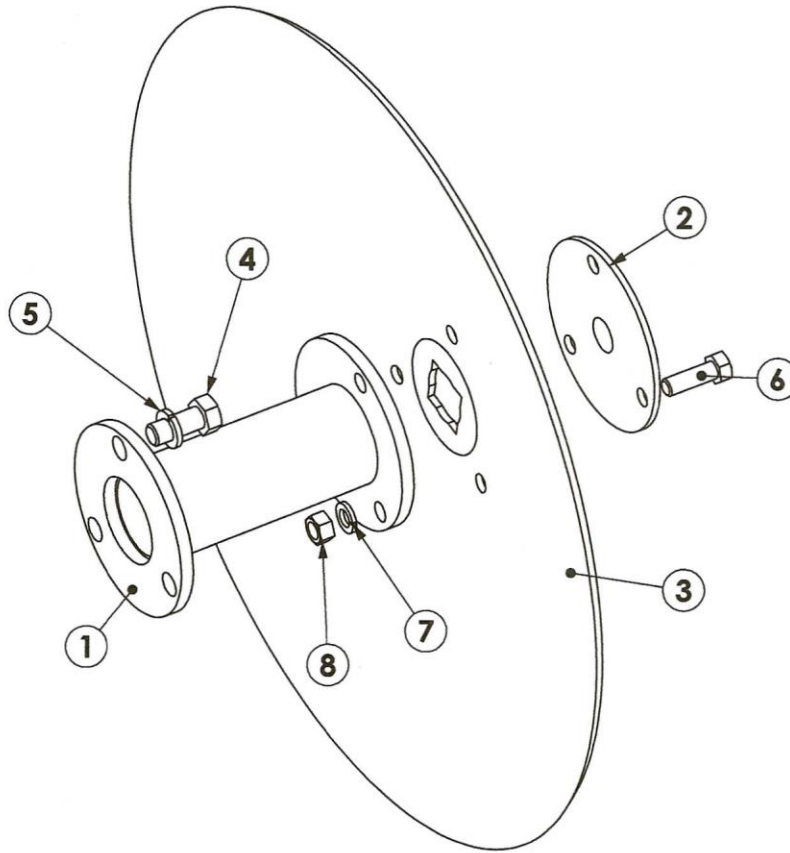
FRONT CLEANER BAR ASSEMBLY

REF #	PART #	DESCRIPTION	WT/LB.
1	CHO-10	MTG. BRACKET-CLEANER BAR, FRONT	3.0
2	CHO-11	CLEANER BAR 4'-6"	28.0
	CHO-12	CLEANER BAR 5'-3"	33.0
	CHO-13	CLEANER BAR 6'-0"	39.0
	CHO-14	CLEANER BAR 6'-9"	45.0
	CHO-20	CLEANER BAR 7'-6"	51.0
	CHO-21	CLEANER BAR 8'-3"	57.0
3	CHO-15	ARM W/BLADE - CLEANER, FRONT - 4.0	4.0
4	CHO-17	CLIP - CLEANER BAR	0.3
5	CS12212-5	BOLT - 1/2" NC. X 2 1/2"	N/A
6	LW12	LOCK WASHER - 1/2"	N/A
7	N12	NUT - 1/2" NC, HEX	N/A
8	FW12	FLAT WASHER - 1/2"	N/A
9	CS58112-5	BOLT - 5/8" NC. X 1" LG.	N/A
10	LW58	LOCK WASHER - 5/8"	N/A
11	N58	NUT - 5/8" NC, HEX	N/A



REAR CLEANER BAR ASSEMBLY

REF #	PART #	DESCRIPTION	WT/LB.
1	CHO-9	MTG. BRACKET-CLEANER BAR, FRONT	3.0
2	CHO-11	CLEANER BAR 4'-6"	28.0
	CHO-12	CLEANER BAR 5'-3"	33.0
	CHO-13	CLEANER BAR 6'-0"	39.0
	CHO-14	CLEANER BAR 6'-9"	45.0
	CHO-20	CLEANER BAR 7'-6"	51.0
	CHO-21	CLEANER BAR 8'-3"	57.0
3	CHO-16	ARM W/BLADE - CLEANER, REAR - 4.0	4.0
4	CHO-17	CLIP - CLEANER BAR	0.3
5	CS12212-5	BOLT - 1/2" NC. X 2 1/2"	N/A
6	FW12	FLAT WASHER - 1/2"	N/A
7	LW12	LOCK WASHER - 1/2"	N/A
8	N12	NUT - 1/2" NC, HEX	N/A



EXTENSION SPOOL ASSEMBLY

REF #	PART #	DESCRIPTION	WT/LB.
1	JDE-16	EXT. SPOOL (BLADE THROWS OUT) 9" FRONT	9.0
	JDE-17	EXT. SPOOL (BLADE THROWS IN) 9" REAR	2.5
2	JDE-20	CAP - EXT. SPOOL UNIVERSAL 1 1/2"	19.0
3	EXT. BLADE	BLADE SIZE ON DISC.	N/A
4	CS58112-5	BOLT - 5/8" X 1 1/2" LG. GR. 5	N/A
5	LW58	LOCK WASHER - 5/8"	N/A
6	CS12112- 5	BOLT - 1/2" X 1 1/2" LG. GR. 5	N/A
7	LW12	LOCK WAQSHER - 1/2"	N/A
8	N12	NUT - 1/2" NC, HEX	N/A



DOMRIES ENTERPRISES, INC.

12281 Road 29, Madera CA 93638 • (P) 559-673-9143 • (F) 559-673-4110

WARRANTY

Under this warranty Domries' obligation shall be limited to repairing or replacing, free of charge to the original purchaser, any defective part. Each part is subject to our assessment, and must show evidence of a manufacturing defect.

Product will be returned to Domries, routed through the dealer from whom the purchase was made. The cost of the repair or replacement shall not be higher than the purchase price of the product, excluding tax, shipping, and installation charges.

A claim for warranty must be made with a Domries Warranty Form with a work order number.

An authorized work order number is **REQUIRED** prior to any field/repair work to be done by Domries.

RETURN GOODS

Domries reserves the right of requiring the prepaid return of any parts claimed to be defective. However, **NO** parts shall be returned **without** Domries warranty form with a work order number. Goods shall be returned to such location as shall be designated by Domries.

Domries will at its discretion, either repair, replace, or freight outbound product from Domries factory. Domries will inspect all parts for defectiveness in materials and/or workmanship. Wear and tear that is determined to be defective, are subject to an adjustment based upon useful life.

REPAIR

Domries will not accept any charges other than its direct Dealer shop labor costs and parts required to repair such parts and/or workmanship at the Dealers place of business. The **WARRANTY** specifically excludes any charges for delivery, transportation, and/or shipping costs.

If the dealer is requested by the customer to travel or haul the machine to its shop or repair shop for the purpose of performing a warranty obligation or free inspection, it would be for the customer's convenience, and the cost of such a trip is to be paid by the customer. Any arrangement whereby the Dealer agrees to absorb all or a part of the cost is to be made **SOLELY** between the Dealer and the Customer (to be considered a courtesy to the customer by their Dealer).

LIMITED WARRANTY

Outside purchased equipment and accessories (not of Domries manufacture) are warranted only to the extent of the original manufacturer's warranty to Domries. Examples of limited items include, Hydraulic cylinders and hoses, Bearings, Disc Blades, Wheels, Tires, Tubes, and Seals.

NO WARRANTY

1. New product that has been subjected to operation in excess of recommended capacities, misused, negligence, lack of maintenance, an accident or have been *altered/repared in any manner not authorized by Domries*.
2. Sharp turns while machine/cutting parts are in the ground void warranty, with the exception of a drag disc.

Domries shall in no event be responsible for any delay or any other consequential or indirect damage in connection with fulfilling any obligation under this WARRANTY.

Domries reserves the right to make change at any time in designs, materials and/or specifications of its product without becoming liable or obligated in any way to make similar changes in previously manufactured products.

This **WARRANTY IS IN LIEU OF ALL OTHER WARRANTIES COVERING DOMRIES PRODUCTS** and no other warranties expressed or implied are made or authorized by Domries Enterprises, Inc.

DEALER/SALESMAN: _____ **DATE:** _____

DOMRIES REP.: _____ **DATE:** _____