

**SERIES
DLR-630
DLR-640**

**PARTS
&
OPERATOR
MANUAL**

**3 POINT
MOUNTING
'V'- DESIGN
SUBSOILERS**

Domries Enterprises, Inc

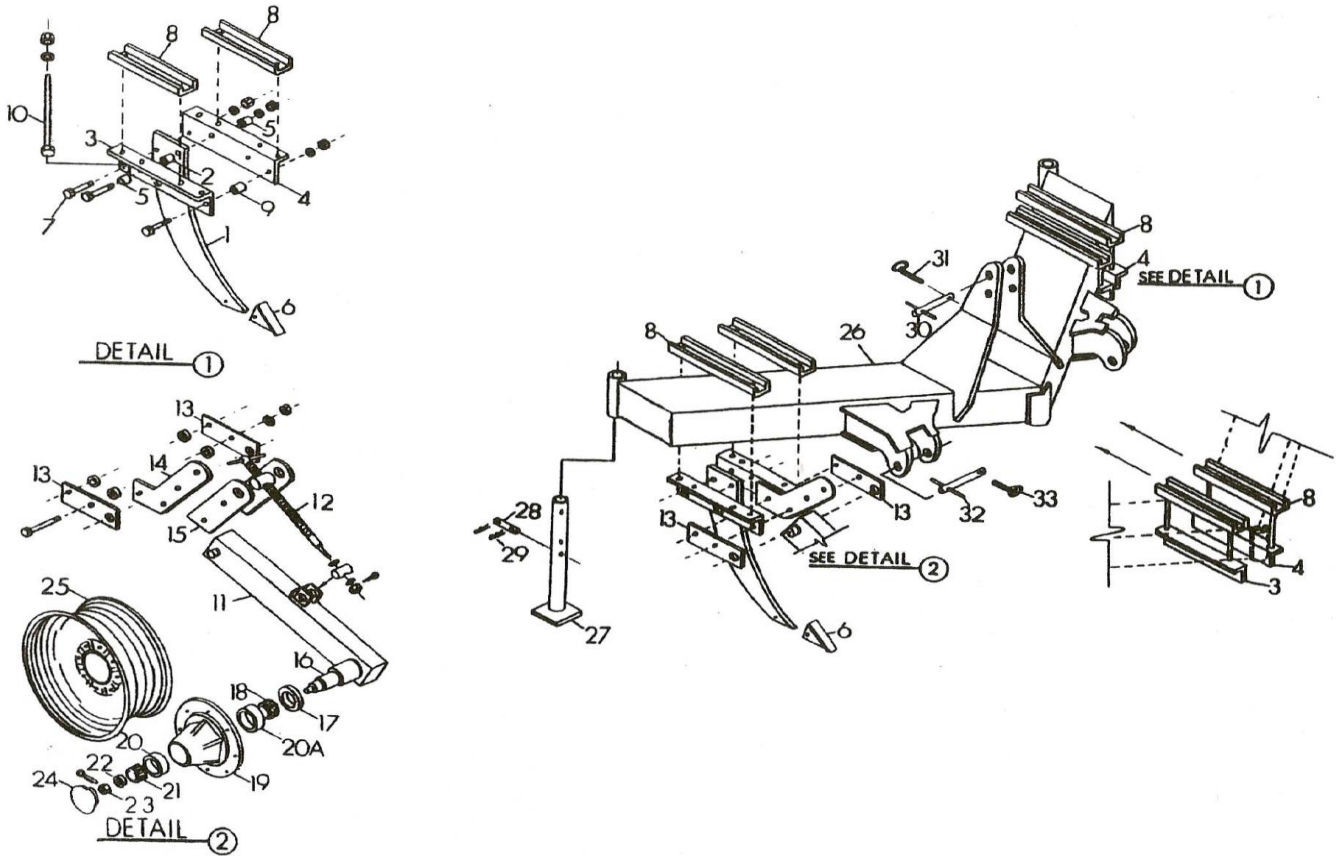
12281 Rd 29

Madera, Ca 93638

Phone (559) 673-9143 Fax (559) 673-4110

Visit Our Web-Site at www.domriesentinc.com

MODEL - DLR



DLR-630-1
3 SHANK

DOMRIES ENTERPRISES INC.
12281 Road 29
Madera, CA 93638
Phone (559) 673-9143 / Fax (559) 673-4110
www.domriesentinc.com

MODEL - DLR

REF. NO.	PART NO.	QTY	DESCRIPTION - DLR-630-1	APPROX WT.
19	RPO-163		Hub - Less Cups - (KIT)	22.40
19A	RPO-168		Bolt - Whl, 9/16 NF	0.20
	N916-F		Nut - 9/16 NF, HEX	
20	RPO-147		Cup Bearing, Outer	0.50
20A	RPO-147		Cup Bearing, Inner	0.50
21	RPO-148		Cone - Brg. Outer	0.70
22	RPO-159		Washer - Spindle	0.20
23	SN34		Slotted Nut - 3/4 NC, HEX	0.20
23A	CP3162		Cotter Pin - 3/16 X 2 Lg	
24	RPO-151		Hub - Cup	0.30
25	RPO-354		Wheel - 20 X 7, 8 (9/16) On 8" BCD	33.10
26	RPO-311		Frame Assy - 3 Shank	1745.00
26	RPO-312		Frame Assy - 5 Shank	2047.00
27	RPO-315		Parking Stand	34.50
27A	CS58312-5		Bolt - 5/8 NC X 3 1/2 LG. GR5	0.50
	LW58		Lock Washer - Spring, 5/8 NOM	
	N58		Nut - 5/8 NC, HEX	
28	RPO-316		Pin - Parking Stand	0.60
29	HP-6		Cotter - Hair Pin Type	0.10
30	RPO-332		Pin - Assy - Upper Link	4.00
31	RPO-450		Pin - Linch	0.20
32	RPO-331		Pin Assy - Lower Link	8.00
33	RPO-314		Pad Plate	0.20

DOMRIES ENTERPRISES INC.

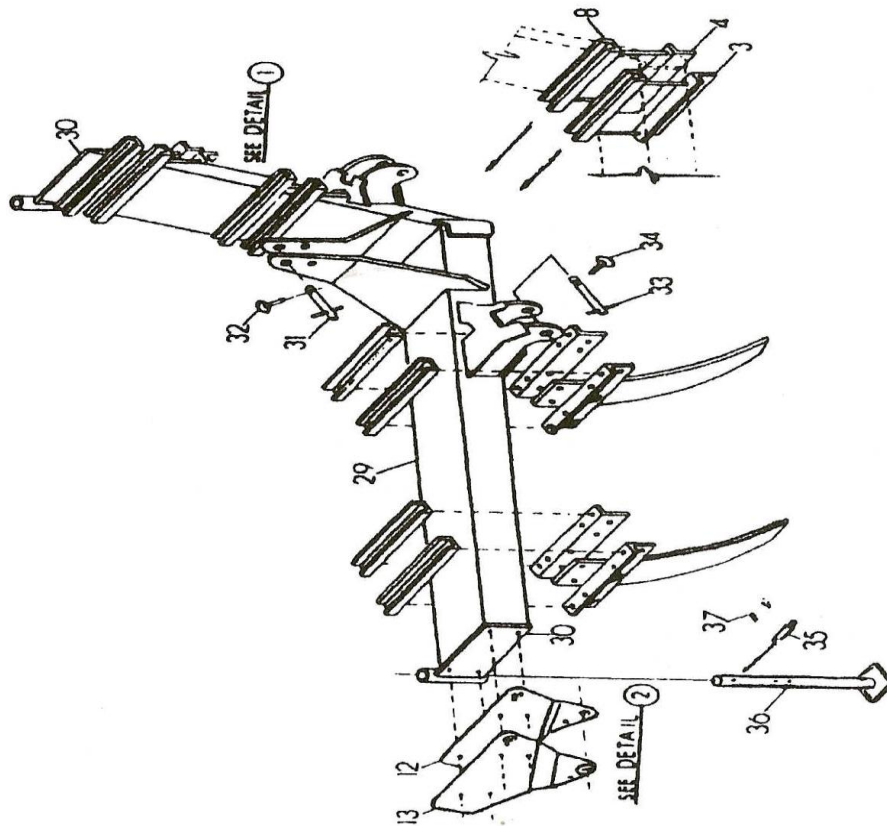
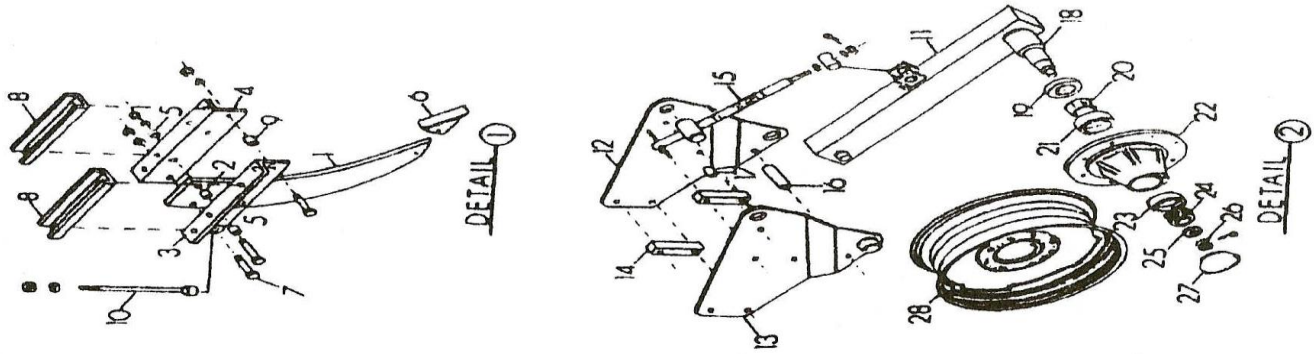
12281 Road 29

Madera, CA 93638

Phone (559) 673-9143 / Fax (559) 673-4110

www.domriesentinc.com

MODEL - DLR



DLR-630-2
5 SHANK

DOMRIES ENTERPRISES INC.
12281 Road 29
Madera, CA 93638
Phone (559) 673-9143 / Fax (559) 673-4110
www.domriesentinc.com

MODEL - DLR

REF. NO.	PART NO.	QTY	DESCRIPTION - DLR-630-2	APPROX WT.
1	RPO-319		Shank - V Subsoiler	138.00
2	RPO-170		Bushing - Hardened	0.30
3	RPO-278		Angle Assy - R.H.	44.00
4	RPO-279		Angle Assy - L.H.	44.00
4A	CS1145-5		Bolt - 1 1/4 NC X 5 LG, GR 5	2.30
	LW114		Lock Washer - Spring, 1 1/4 NOM	
	N114		Nut - 1 1/4 NC. Hex	
5	RPO-169		Bushing - Hardened	0.20
6	RPO-320		Shoe Shank	11.50
6A	CS123-5		Bolt - 1/2 NC X 3" LG, GR 5	
	FW12		1/2 FLAT WASHER	
	LN12		Lock Nut - 1/2 Lock NC, HEX	
7	RPO-321		Bolt - Shear	1.00
	LW1		Lock Washer - Spring 1"	
	N1		Nut - 1" NC, HEX	
8	RPO-322		Clamp Shank	15.50
9	RPO-207		Bushing - Spacer	0.40
9A	CS14-5		Bolt - 1" NC X 4" LG, GR 5	1.50
	LW1		Lock Washer - Spring	
	N1		Nut - 1" NC, HEX	
10	CS19-8		Bolt - 1" NC X 9 LG, GR 5	2.30
	LW1		Lock Washer - Spring	
	N1		Nut - 1" NC, HEX	
11	RPO-323		Crank Assy. R.H.	50.20
11	RPO-324		Crank Assy. L.H.	50.20
12	RPO-326		Plate - Assy. L.H.	37.60
13	RPO-325		Plate - Assy. R.H.	37.60
13A	CS14-5		Bolt - 1" NC X 4" LG, GR 5	1.50
	LW1		Locker Washer - Spring, 1" Nom	
	N1		Nut - 1" NC, HEX	
14	RPO-327		Spacer Block	2.90
15	RPO-328		Adj. Screw Assy.	8.50
15A	RPO-231		Trunnion - Gg Whl	3.50
	RPO-341		Washer - Plain	
	SN34		Slotted Nut - 3/4 nc, Hex	
	CP3162		Cotter Pin - 3/16 nc x 2 lg	
16	RPO-392		Bushing Spacer	2.00
16A	CS17-5		Bolt - 1" nc x 7" lg Gr 5	2.00
	LW		Lock Washer - Spring	
	N1		Nut - 1" NC, HEX	
17	RPO-329		Bushing Spacer	0.20
17A	CS12312-5		Bolt - 1/2"nc x 3 1/2"lg, Gr5	
	LW12		Lock Washer - Spring	

DOMRIES ENTERPRISES INC.

12281 Road 29

Madera, CA 93638

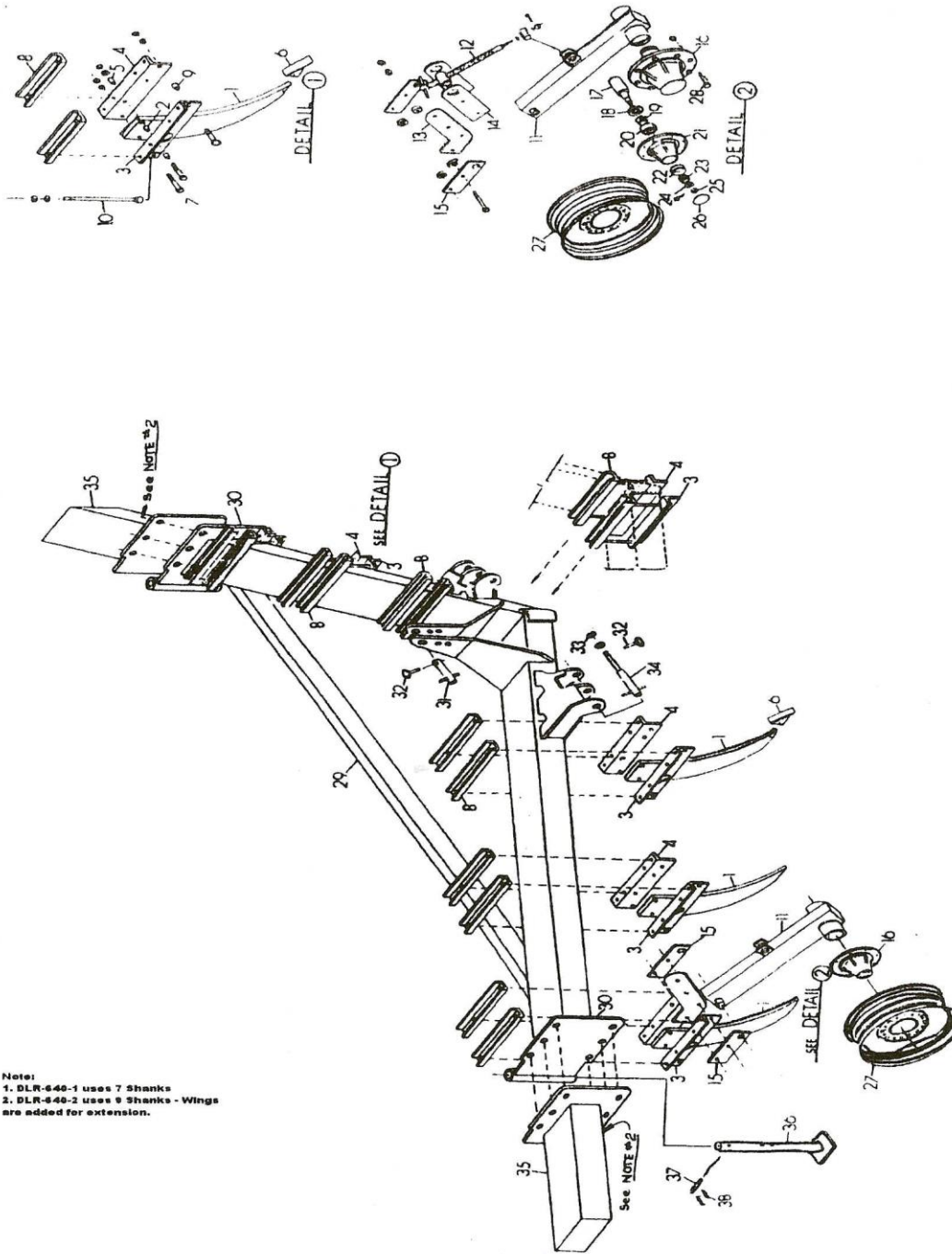
Phone (559) 673-9143 / Fax (559) 673-4110

MODEL - DLR

REF. NO.	PART NO.	QTY	DESCRIPTION - DLR-630-2	APPROX WT.
	N12		Nut - 1/2"nc, Hex	
18	RPO-269		Spindle - Weld in Type	16.40
19	RPO-144		Seal - Hub	0.10
20	RPO-146		Cone Brg. - Inner	0.80
21	RPO-145		Cup Brg. - Inner	0.50
22	RPO-163		Hub - Less Cups (KIT)	22.40
22A	RPO-168		Bolt - Whl., 9/16nf	0.20
	N916-F		Nut - 9/16nf, Hex	
23	RPO-147		Cup Brg. - Outer	0.40
24	RPO-148		Cone Brg. - Outer	0.70
25	RPO-159		Washer - Spindle	0.20
26	SN78-F		Slotted Nut - 7/8nf, Hex	0.20
26A	CP3162		Cotter Pin - 3/16 nc x 2 lg	
27	RPO-151		Hub Cap	0.30
28	RPO-276		Wheel - 20 x 7 8 (9/16) on 8" BCD	33.10
29	RPO-311		Frame Assy - 3 Shank	1745.00
30	RPO-312		Frame Assy - 5 Shank	2047.00
31	RPO-332		Pin Assy - Upper Ling	4.00
32	RPO-450		Pin Assy - Upper Ling	0.20
33	RPO-331		Pin Assy - Lower Link	8.00
34	RPO-314		Pad Plate	0.20
35	RPO-316		Pin - Parking Stand	0.60
36	RPO-315		Parking Stand	34.50
36A	CS58312-5		Bolt - 5/8 NC X 3 1/2 LG, GR5	0.50
37	HP-6		Hair Pin	0.10

DOMRIES ENTERPRISES INC.
12281 Road 29
Madera, CA 93638
Phone (559) 673-9143 / Fax (559) 673-4110

MODEL - DLR



DLR-640-1 & 2
7 SHANK & 9 SHANK

DOMRIES ENTERPRISES INC.

12281 Road 29

Madera, CA 93638

Phone (559) 673-9143 / Fax (559) 673-4110

MODEL - DLR

REF. NO.	PART NO.	QTY	DESCRIPTION - DLR-630-2	APPROX WT.
1	RPO-319		Shank - V Subsoiler	138.00
2	RPO-170		Bushing - Hardened	0.30
3	RPO-278		Angle Assy - R.H.	44.00
4	RPO-279		Angle Assy - L.H.	44.00
4A	CS1145-5		Bolt - 1 1/4 NC X 5 LG, GR 5	2.30
	LW114		Lock Washer - Spring, 1 1/4 NOM	
	N114		Nut - 1 1/4 NC. Hex	0.60
5	RPO-169		Bushing - Hardened	0.20
6	RPO-320		Shoe Shank	11.50
	LN38		Lock Nut - 3/8 NC, HEX	
7	RPO-321		Bolt - Shear	1.00
	LN38		Lock Washer Spring	
	N1		Nut - 1" NC. Hex	
8	RPO-322		Clamp Shank	15.50
9	RPO-207		Spacer Bushing	0.50
9A	CS14-5		Bolt - 1" NC X 4" LG, GR 5	1.50
			Lock Washer - Spring	
	N1		Nut - 1" NC, HEX	
10	CS19-8		Bolt - 1" NC X 9 LG, GR 5	
	LW1		Lock Washer - Spring	
	N1		Nut - 1" NC, HEX	
11	RPO-340		Crank Assy.	36.50
11A	SHSS12112-5DP		Setscrew - Sq. Head, 1/2 NC X 1 1/2 Lg	
	KW12		Lock Washer - Spring	
	N12		Nut - 1/2" NC, HEX	
12	RPO-328		Adj. Screw Assy.	8.50
12A	RPO-231		Trunnion - Gg Whl	3.50
	RPO-341		Washer - Plain	
	SN34		Slotted Nut - 3/4 NC, HEX	
	CP3162		Cotter Pin - 3/16 X 2 Lg	
13	RPO-342		Arm - Trunnion	20.50
14	RPO-343		Ear - Trunnion	
14A	CS58312-5		Bolt - 5/8 NC X 3 1/2 LG, GR 5	0.50
	LW34		Lock Washer - Spring	
	N34		Nut - 1" NC, HEX	
15	RP-344		Plate - Pivot	
15A	RPO-345		Spacer - Pivot	
	CS17-5		Bolt - 1" NC X 7 Lg, GR 5	2.00
	LW1		Lock Washer Spring	
	N1		Nut - 1" NC, HEX	
16	RPO-163		Hub - Less Cups - (KIT)	22.50
17	RPO-347		Spindle - Slip In Type	10.00

DOMRIES ENTERPRISES INC.

12281 Road 29

Madera, CA 93638

Phone (559) 673-9143 / Fax (559) 673-4110

MODEL - DLR

REF. NO.	PART NO.	QTY	DESCRIPTION - DLR-630-2	APPROX WT.
18	RPO-144		Seal Hub	
19	RPO-146		Cone - Brg Inner	1.00
20	RPO-145		Cup - Brg Inner	0.50
22	RPO-147		Cup - Brg Outer	0.50
23	RPO-148		Cone - Brg Outer	1.00
24	RPO-159		Washer - Spindle	0.20
25	SN34		Slotted Nut - 3/4 NC, HEX	
	CP3162		Cotter Pin - 3/16 X 2 Lg	
26	RPO-151		Hub Cap	0.30
27	RPO-354		Wheel - 20 X 7, 8 (9/16) On 8" BCD	33.50
28	RPO-168		Bolt - Wheel, 9/16 NF	0.20
	N916-F		Nut - 9/16 NF, HEX	
29	RPO-330		Frame Assy - 7 Shank	2977.00
31	RPO-332		Pin Assy - Upper Link	4.00
32	RPO-450		Pin - Linch	0.20
33	RPO-314		Pad Plate	0.20
34	RPO-331		Pin Assy - Lower Link	8.00
35	RPO-334		Wing Assy - Ext., RH	232.70
35A	RPO-335		Wing Assy - Ext., LH	232.70
36	RPO-336		Pin, Pivot, Ext	5.00
36A	CP516134		Cotter Pin - 5/16 X 1 3/4 Lg	
	RPO-337		Washer Plain	
37	RPO-318		Strap - Park Stand (Opition)	1.50
38	RPO-339		Bracket - Transport (Opition)	2.00
38A	CS58312-5		Bolt - 5/8 NC X 5 1/2 LG, GR 5	2.00
	LW58		Lock Washer - Spring	
	N58		Nut - 5/8 NC, HEX	
	CS1212-5		Bolt - 1" NC X 2 1/2 Lg, GR 5	
	LW1		Lock Washer - Spring	
	N1		Nut - 1" NC, HEX	

DOMRIES ENTERPRISES INC.
 12281 Road 29
 Madera, CA 93638
 Phone (559) 673-9143 / Fax (559) 673-4110



DOMRIES ENTERPRISES, INC.

12281 Road 29, Madera CA 93638 • (P) 559-673-9143 • (F) 559-673-4110

WARRANTY

Under this warranty Domries' obligation shall be limited to repairing or replacing, free of charge to the original purchaser, any defective part. Each part is subject to our assessment, and must show evidence of a manufacturing defect.

Product will be returned to Domries, routed through the dealer from whom the purchase was made. The cost of the repair or replacement shall not be higher than the purchase price of the product, excluding tax, shipping, and installation charges.

A claim for warranty must be made with a Domries Warranty Form with a work order number.

An authorized work order number is **REQUIRED** prior to any field/repair work to be done by Domries.

RETURN GOODS

Domries reserves the right of requiring the prepaid return of any parts claimed to be defective. However, **NO** parts shall be returned **without** Domries warranty form with a work order number. Goods shall be returned to such location as shall be designated by Domries.

Domries will at its discretion, either repair, replace, or freight outbound product from Domries factory. Domries will inspect all parts for defectiveness in materials and/or workmanship. Wear and tear that is determined to be defective, are subject to an adjustment based upon useful life.

REPAIR

Domries will not accept any charges other than its direct Dealer shop labor costs and parts required to repair such parts and/or workmanship at the Dealers place of business. The **WARRANTY** specifically excludes any charges for delivery, transportation, and/or shipping costs.

If the dealer is requested by the customer to travel or haul the machine to its shop or repair shop for the purpose of performing a warranty obligation or free inspection, it would be for the customer's convenience, and the cost of such a trip is to be paid by the customer. Any arrangement whereby the Dealer agrees to absorb all or a part of the cost is to be made **SOLELY** between the Dealer and the Customer (to be considered a courtesy to the customer by their Dealer).

LIMITED WARRANTY

Outside purchased equipment and accessories (not of Domries manufacture) are warranted only to the extent of the original manufacturer's warranty to Domries. Examples of limited items include, Hydraulic cylinders and hoses, Bearings, Disc Blades, Wheels, Tires, Tubes, and Seals.

NO WARRANTY

1. New product that has been subjected to operation in excess of recommended capacities, misused, negligence, lack of maintenance, an accident or have been *altered/repared in any manner not authorized by Domries*.
2. Sharp turns while machine/cutting parts are in the ground void warranty, with the exception of a drag disc.

Domries shall in no event be responsible for any delay or any other consequential or indirect damage in connection with fulfilling any obligation under this WARRANTY.

Domries reserves the right to make change at any time in designs, materials and/or specifications of its product without becoming liable or obligated in any way to make similar changes in previously manufactured products.

This **WARRANTY IS IN LIEU OF ALL OTHER WARRANTIES COVERING DOMRIES PRODUCTS** and no other warranties expressed or implied are made or authorized by Domries Enterprises, Inc.

DEALER/SALESMAN: _____ **DATE:** _____

DOMRIES REP.: _____ **DATE:** _____