



**CV
SERIES**

FLAT FURROWERS



FEATURES

- PLOW TYPE RECESSED CUTTING EDGES
- 1/4" X 4" HI. CARBON STEEL BLADES
- ROLL FORMED MOLDBOARD
- SLOTTED HEAD PLATE FOR TWIST SETTING



DOMRIES ENTERPRISES, INC
12281 Road 29
Madera, California 93638
Office (559) 673-9143 Fax (559) 673-4110
Visit our website @ www.domries.com

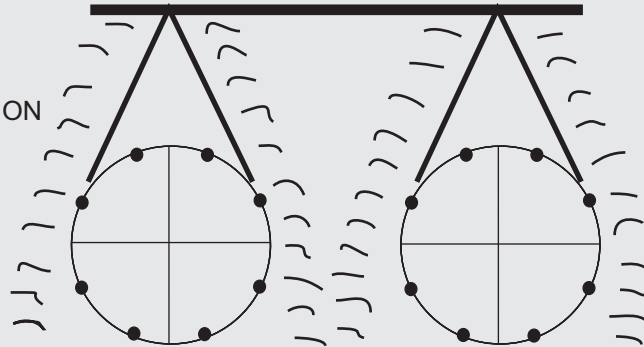


CV-SERIES SPECIFICATIONS

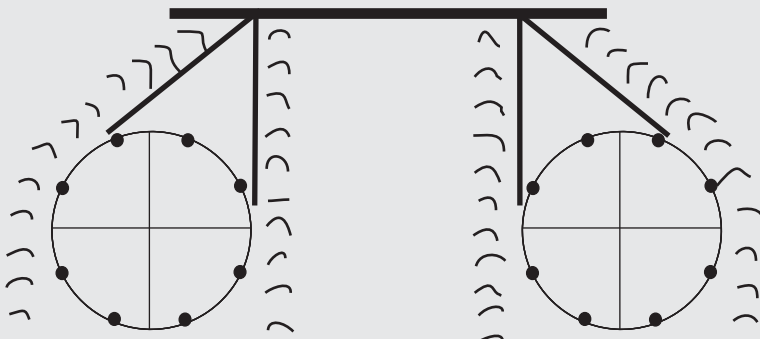
FOR ORCHARD & VINEYARD IRRIGATION!

CULTIVATE THE FURROW BOTTOM
RETARD THE FLOW OF WATER
HELP TO ELIMINATE CHANNELING
INSURES A DEEPER & MORE EVEN WATER DISTRIBUTION

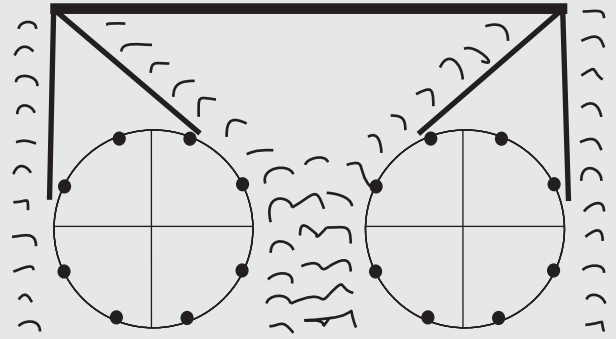
**FLAT FORROWERS
ROTARY HARROWS**



FURROWERS SET STRAIGHT FOR EVEN MOVEMENT OF SOIL



FURROWERS AT ANGLE MOVES SOIL TO OUTSIDE



ANGLE SET TO MOVE SOIL TO THE CENTER

MODEL NO.	DESCRIPTION	APPROX. WT.
CV-200	20" FURROWER PLAIN (LESS ATTACHING HEAD)	52
CV-300	30" FURROWER PLAIN (LESS ATTACHING HEAD)	64
CV-300-R	30" FURROWER FOR ROTARY HARROW (LESS ATTACHING HEAD)	90
CV-RH-30	ROTARY HARROW FOR 30" FURROWER (COMPLETE)	56
CV-AN-30	MOUNTING HEAD FOR SQ. TOOL BAR-WITH TWIST PLATE	29
CV-AP-60	MOUNTING HEAD WITH 1" X 3" POST 15" HIGH-WITH TWIST PLATE	24

DOMRIES ENTERPRISES, INC

12281 Road 29

Madera, California 93638

Office (559) 673-9143 Fax (559) 673-4110

Visit our website @ www.domries.com



Domries reserves the right to make changes and/or improvements in design and construction of parts and/or machines shown herein without notice or obligation